

**NOTES:**

- 1 THESE CONNECTORS ARE DESIGNED TO MEET MIL-C-83503 SPECIFICATION.
- 2 No. 1 CONTACT POSITION LOCATOR.
- 3 FOR CATALOG NUMBER DESCRIPTION SEE CODE ORDER CHART.
- 4 POLARIZATION KEY SHOWN FOR REFERENCE ONLY. TO BE ORDERED SEPERATELY UNDER CATALOG No. 109-101831. POLARIZATION SLOTS PROVIDED AS FOLLOWS:
  - 4A SIZES 10 AND 14 ONE SLOT ON SIDE INDICATED.
  - 4B SIZES 16 THRU 64 TWO SLOTS.
- 5 LATCH OPTION (SEE CODE ORDER CHART) ARE AS FOLLOWS:
  - 0 = LATCH NOT REQUIRED
  - 1 = FOR USE WITH 61 AND 81 SERIES SOCKET CONNECTOR WITHOUT STRAIN RELIEF
  - 2 = FOR USE WITH 61 AND 81 SERIES SOCKET CONNECTOR WITH STRAIN RELIEF
  - 3 = FOR USE WITH 51 SERIES SOCKET CONNECTOR WITH OR WITHOUT STRAIN RELIEF
  - 4 = EJECTORS ONLY (TAB REMOVED).
- 6 CENTER POLARIZATION WINDOW NOT AVAILABLE ON SIZE 10.
- 7 SURFACE L ROUGHNESS TO BE 16 MICROINCHES MAXIMUM FOR LENGTH SHOWN.
- 8 4 DIGIT DATE CODE AND MANUFACTURING LOCATION CODE LOCATED APPROXIMATELY SHOWN.
- 9 DEVIATION 5146 REQUIRES COMPLETE CATALOG No. TO BE MARKED ON PART IN ADDITION TO DATE CODE.

REV	DESCRIPTION	BY DATE	APPD
U	REVISED PER ECR8598	50/22/82 CBA	HBA

**SPECIFICATIONS**  
**MATERIALS**

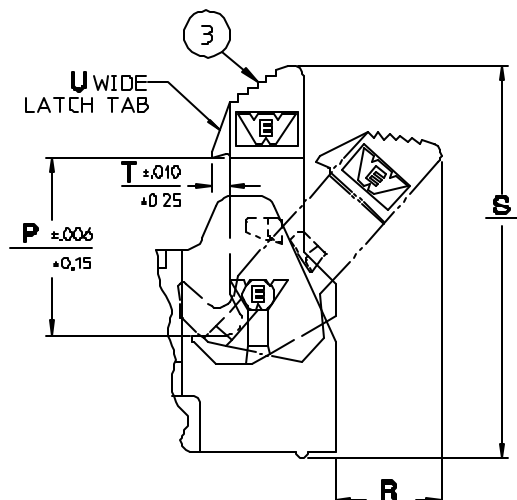
- 1 Insulator — Polyester Thermoplastic, Glass Filled Rated UL 94V-0, Color Natural
- 2 Contacts — Copper Alloy Finish: See Code Order Chart
- 3 Ejector Latch — Polyester Thermoplastic, Glass Filled Rated UL 94V-0, Color Natural
- 4 Polarization Key — Polyester Thermoplastic, Glass Filled Rated UL 94V-0, Color Natural

**PERFORMANCE CHARACTERISTICS**

Insulation resistance — 5,000 megohms minimum  
 Current rating — 1 amp @ 70°C, fully loaded  
 — 3 amp @ 20°C, fully loaded  
 Operating temperature range — -55°C to +105°C  
 Contact resistance — 8 milliohms maximum  
**Press-fit Contact**  
 Max. Insertion Force (per contact) — 40 lbs/177.9 N  
 Min. Retention Force (per contact) — 10 lbs/44.5 N

**79 SERIES CODE ORDER CHART - (4-SIDED) HEADER**

CODE **	A	B	D	E	F	G	H
10	1.26 32.0	1.10 27.9	.705 17.91	4	.400 10.16	4A	6
14	1.46 37.1	1.30 33.0	.905 22.99	6	.600 15.24	4A	.22 5.6
16	1.56 39.6	1.40 35.6	1.005 25.53	7	.700 17.78		.27 6.9
20	1.76 44.7	1.60 40.6	1.205 30.61	9	.900 22.86		.37 9.4
26	2.06 52.3	1.90 48.3	1.505 38.23	12	1.200 30.48		.52 13.2
30	2.26 57.4	2.10 53.3	1.705 43.31	14	1.400 35.56		.62 15.7
34	2.46 62.5	2.30 58.4	1.905 48.39	16	1.600 40.64	.15 3.8	.72 18.3
40	2.76 70.1	2.60 66.0	2.205 56.01	19	1.900 48.26		.87 22.1
50	3.26 82.8	3.10 78.7	2.705 68.71	24	2.400 60.96		1.12 28.4
60	3.76 95.5	3.60 91.4	3.205 81.41	29	2.900 73.66		1.37 34.8
64	3.96 100.6	3.80 96.5	3.405 86.49	31	3.100 78.74		1.47 37.3



LATCH OPTIONS = [5]

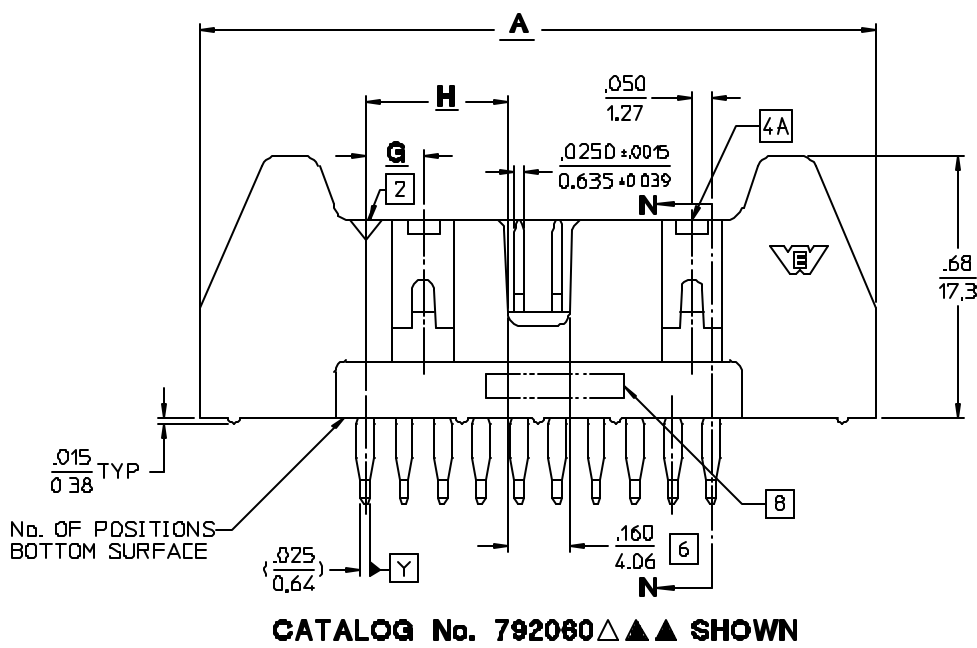
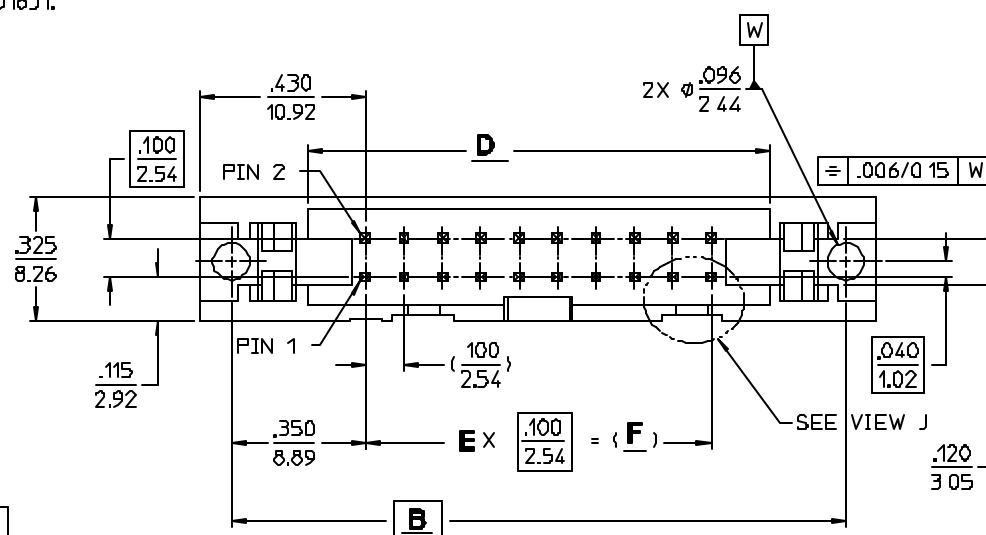
79 \*\* [5] [6] [7] [8] [9] XXXX - FACTORY ASSIGNED DEVIATION No. [9]

CODE	DESCRIPTION
BLANK	NONE
TA	Aluminium .000010 TO .000020 THK

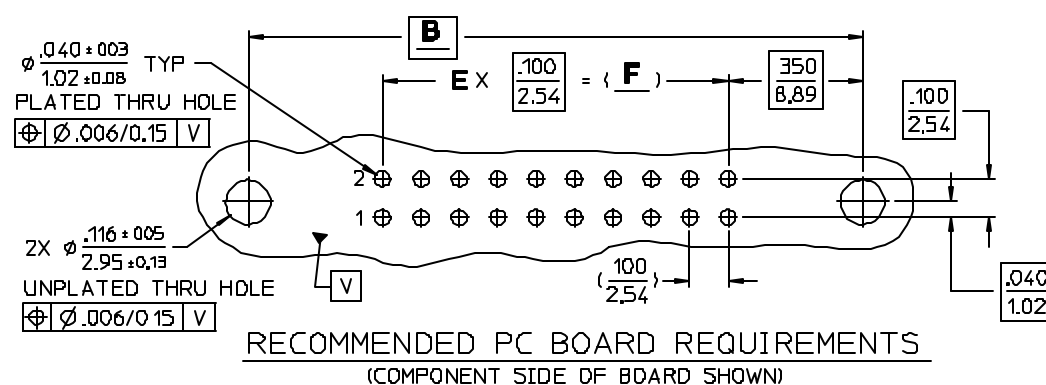
CODE	DESCRIPTION	TERMINATION
Δ	MATING END	
C	.000030 Gold over	Gold Flash
D	.000040 Nickel	Bright Solder
K	.000030 Gold over .000050 Nickel	Bright Solder
M	.000030 Gold over .000050 Nickel	Pure Tin

CODE	P	R	S	T	U
0	NO LATCHES				
1	.430 10.92	.29 7.4	.96 24.4	.080 2.04	.200 5.08
2	.573 14.55	.40 10.2	1.10 27.9	.080 2.04	.095 2.42
3	.463 11.76	.32 8.1	.99 25.1	.050 1.27	.060 1.53
4	---	.40 10.2	1.10 27.9	---	---

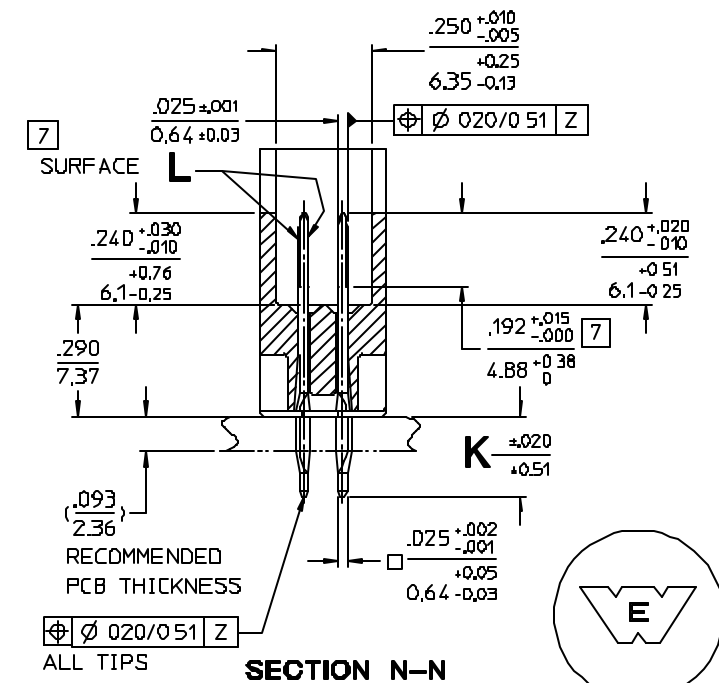
CODE	DESCRIPTION	CONTACT TYPE	K
1	FEED ON	C-PRESS	.160 4.06
2	.025 ±.001 .635 ±0.03	C-PRESS	.555 14.10
3	SQ WIRE WRAP		.685 17.40
6	FEED ON	C-PRESS	.210 5.33
7	.025 SQUARE	SOLDER	.613 15.57
8	.025 SQUARE	SOLDER	.098 2.49
9	.025 SQUARE	SOLDER	.158 4.01



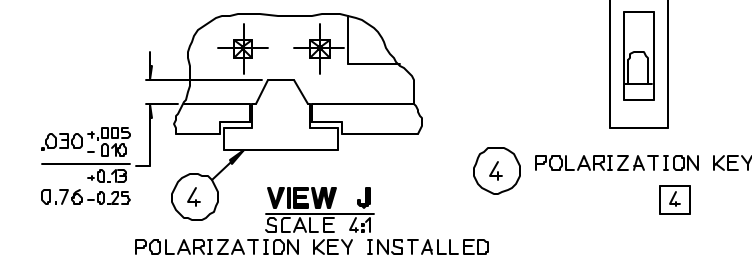
CATALOG No. 792060 [5] [6] [7] [8] [9] SHOWN



RECOMMENDED PC BOARD REQUIREMENTS  
(COMPONENT SIDE OF BOARD SHOWN)



SECTION N-N



VIEW J  
SCALE 4:1

POLARIZATION KEY INSTALLED

PER ASME Y14.5M-1994 UNLESS OTHERWISE SPECIFIED, DIMENSIONS ARE IN INCHES OR DECIMALS TOLERANCES: DECIMALS .XX ± .02/0.5 XXX ± .007/0.18 ANGLES ± 2° SCALE 2:1		<b>Litton</b> Winchester Retconn 400 Park Road Watertown, Connecticut 06795	
<b>CUSTOMER DRAWING</b>		TITLE 79 SERIES (4-SIDED) HEADER	
DRAWN J. GATZURAS APPROVED JAD	DATE 10-11-81 APPROVED 1/25/82	DATE 2-11-82 APPROVED 1/25/82	REV U
B		10366	SHT. 1 OF 1