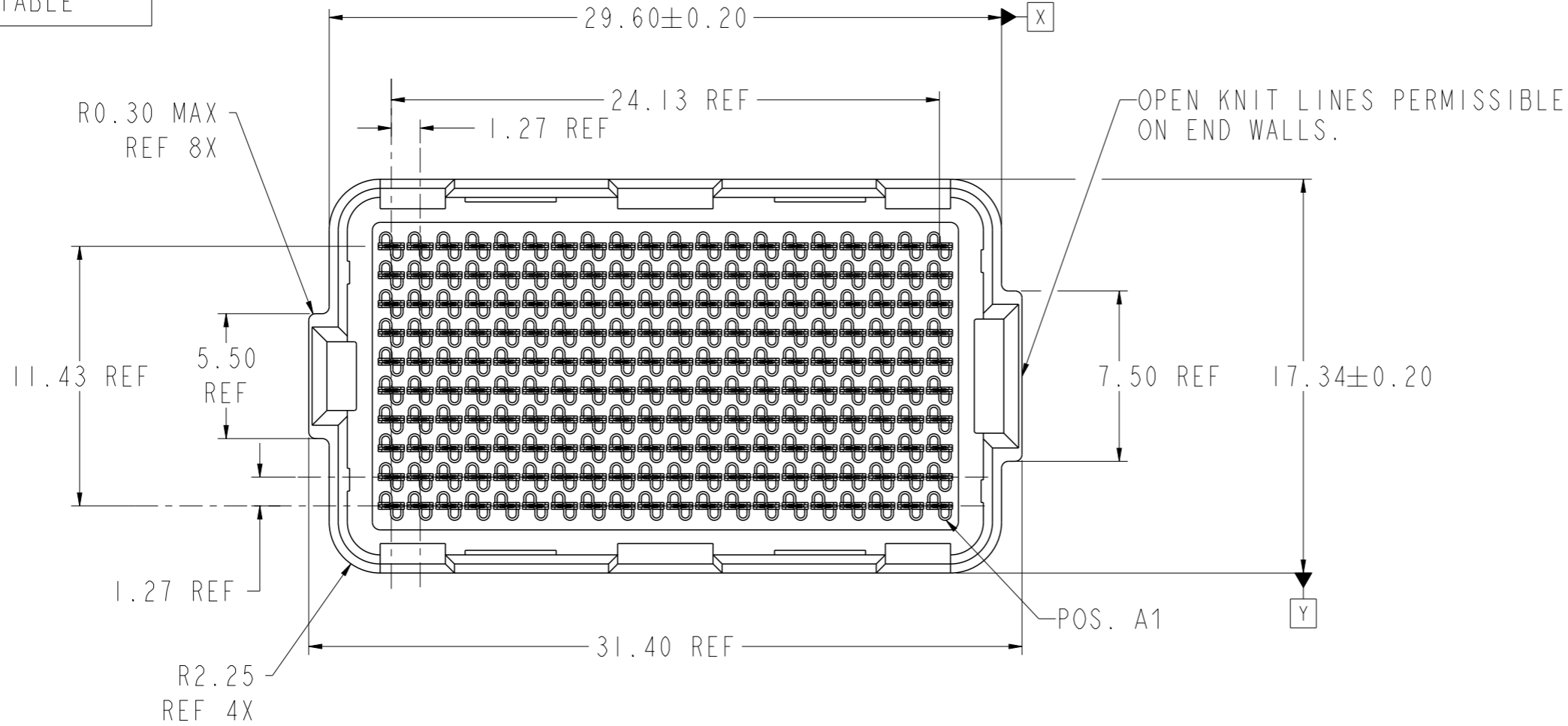
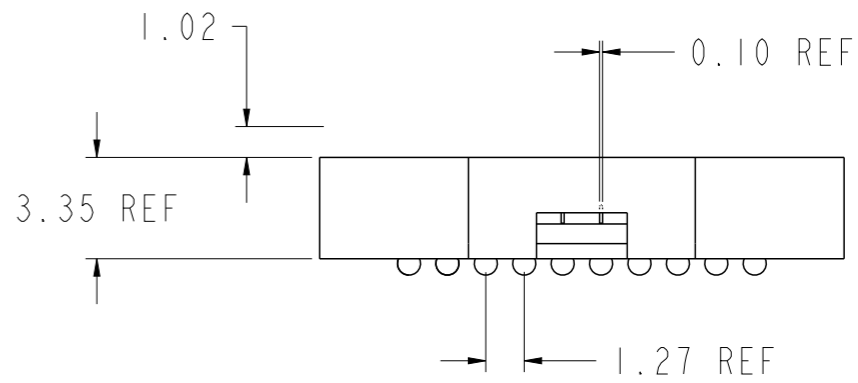
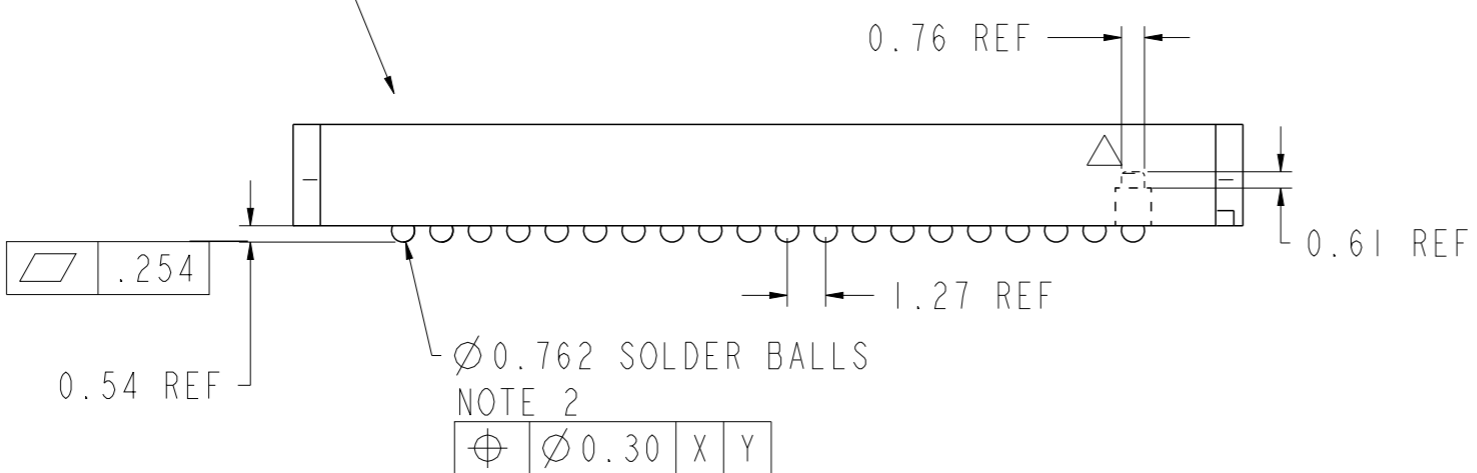


PRODUCT NUMBER

SEE TABLE



PROTECTIVE PICK-UP CAP

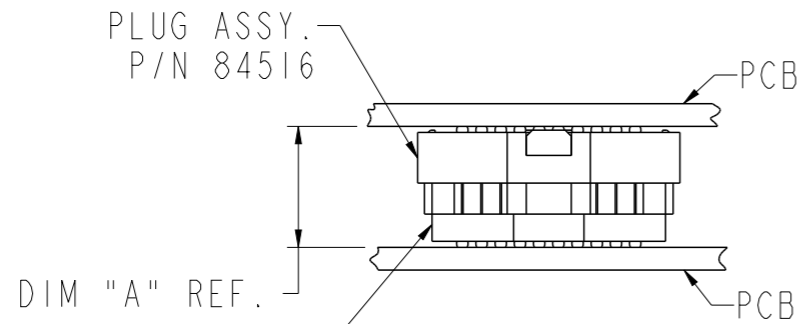


Copyright FCI.

spec ref	-	dr	wcadmin	2001/11/16	projection	mm	size	A3	scale	4:1	
tolerance std	ASME Y14.5	eng	Dave Horchler	2012/11/21			ecn no	ELX-V-13512-1			
		chr	-				rel level	Released			
surface	✓	appr	R Marshall	2012/11/26	product family	MEG-ARRAY		cat. no.	84516	rev	H
				0mm PLUG ASSEMBLY 10 x 20 = 200 POSITIONS		Product - Customer Drw		sheet 1 of 5			

PRODUCT NUMBER

SEE TABLE



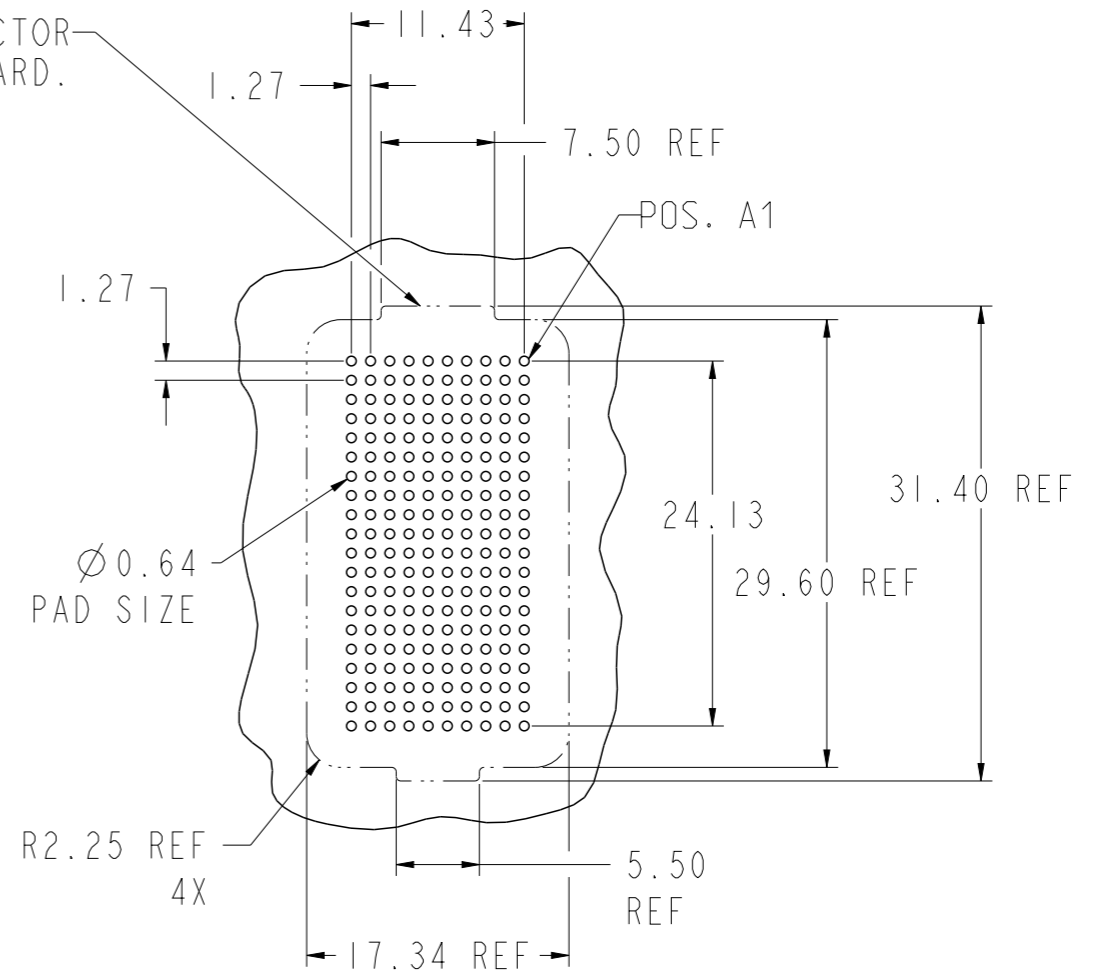
DIM "A" REF.
MATED HEIGHT
AFTER REFLOW
SEE NOTE 3

END VIEW - MATED CONNECTORS

MATED HEIGHT AFTER REFLOW IS BASED ON $\varnothing 0.64$ mm PAD (METAL DEFINED) AND 0.13mm SOLDER PASTE STENCIL THICKNESS. SEE NOTE 3.

RECPT. ASSY.
(SEE TABLE BELOW)

STENCIL MATED CONNECTOR
OUTLINE ONTO BOARD.



BOARD PATTERN

MATED HEIGHT TABLE

DIM "A"	RECPT. ASSY. P/N	-2XX PLATING
4.0	84517	SEE NOTE 4
6.0	55724	SEE NOTE 5
8.0	84535	SEE NOTE 5

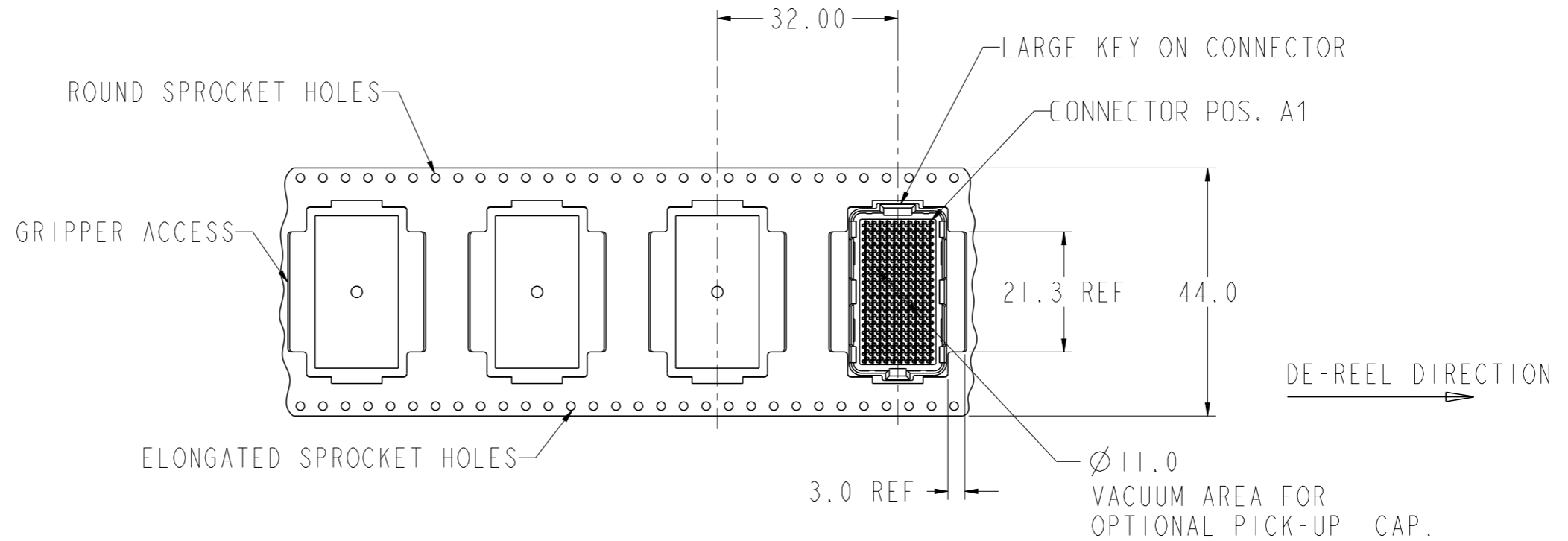


Copyright FCI.

spec ref	-	dr	wcadmin	2001/11/16	projection	mm	size	A3	scale	10:1
tolerance std	ASME Y14.5	eng	Dave Horchler	2012/11/21			ecn no	ELX-V-13512-1	rel level	Released
TOLERANCES UNLESS OTHERWISE SPECIFIED		chr	-	appr						
surface	 ASME Y14.5	linear	0.X	± 0.3	 www.fci.com	title 0mm PLUG ASSEMBLY 10 x 20 = 200 POSITIONS	dwg no 84516	rev H	Product - Customer Drw	
	angular	0°	$\pm 2^\circ$	cat. no.					sheet 2 of 5	

PRODUCT NUMBER

SEE TABLE



TAPE & REEL PACKAGING

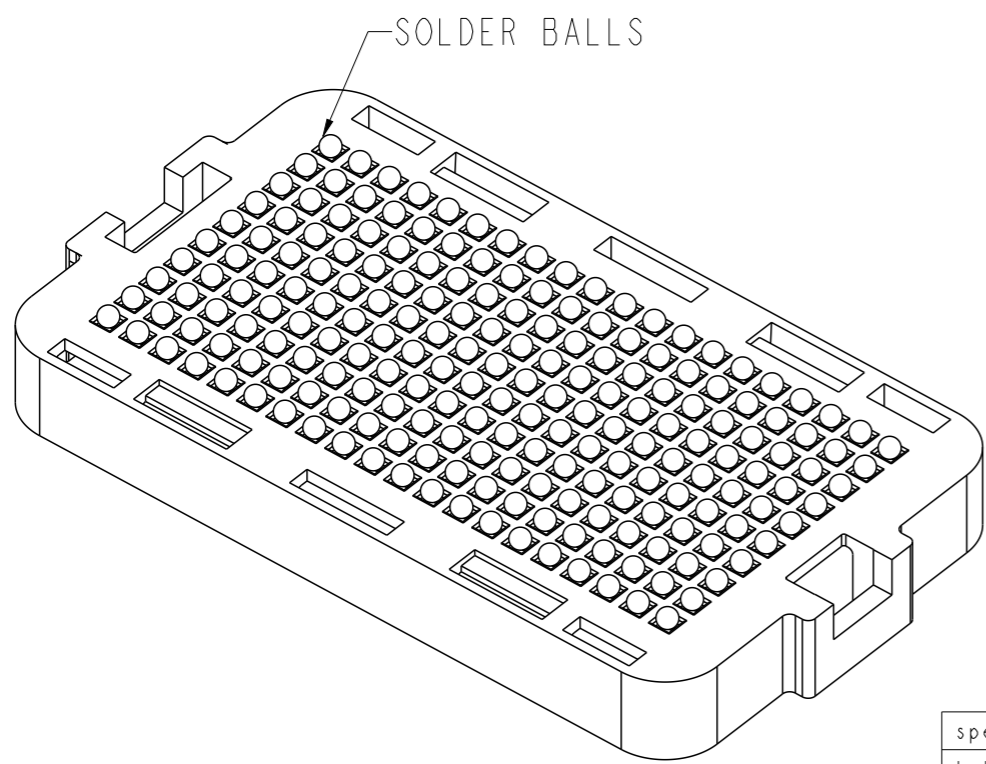
PER EIA 481-3



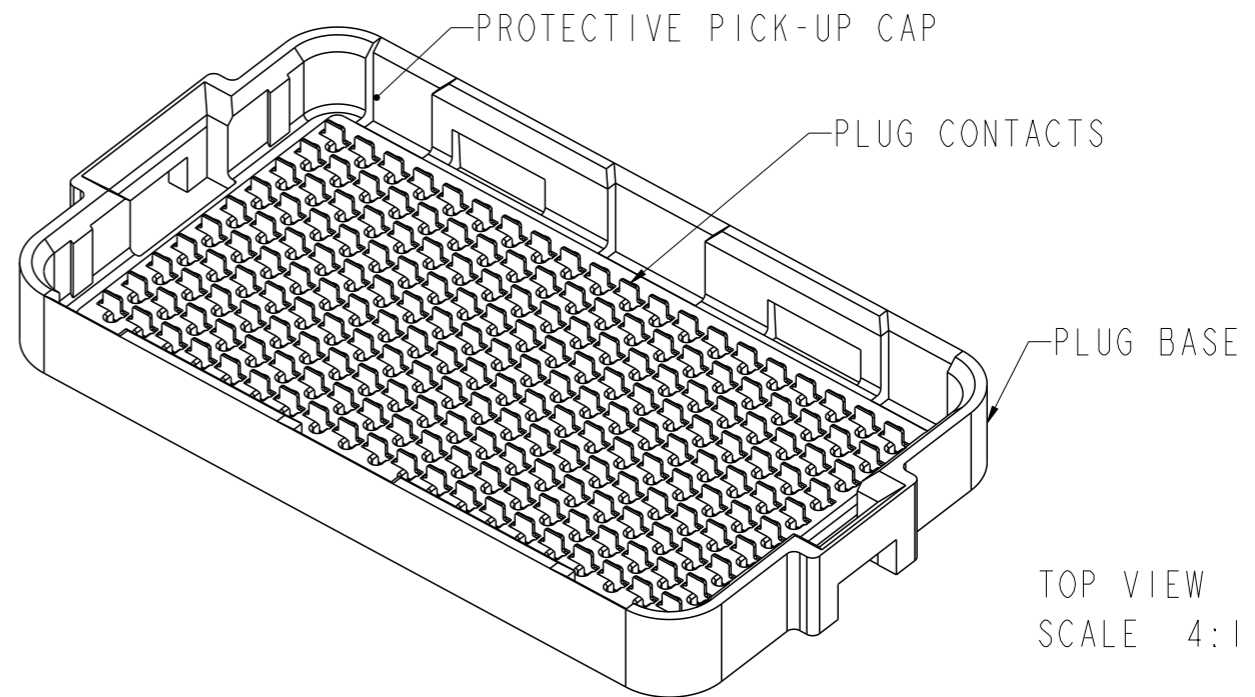
Copyright FCI.

spec ref	-			dr	w wadmin	2001/11/16	projection	mm	size	A3	scale	1:1
tolerance std	ASME Y14.5			eng	Dave Horchler	2012/11/21			ecn no		ELX-V-13512-1	
TOLERANCES UNLESS OTHERWISE SPECIFIED				chr	-	-			rel level		Released	
surface		linear	0.X ±0.3	appr	R Marshall	2012/11/26	product family	MEG-ARRAY		cat	Released	
ASME Y14.5		angular	0° ±2°			title 0mm PLUG ASSEMBLY 10 x 20 = 200 POSITIONS		dwg no	84516		rev	H
www.fci.com				cat. no.		Product - Customer Drw			sheet 3 of 5			

PRODUCT NUMBER	PICK-UP CAP (NATURAL OR BLACK COLOR)	CONTACT PLATING AND THICKNESS	SOLDER BALL	NOTES
84516-002	YES	15μ" / (.38μm) Au	SnPb	9
84516-002LF	YES	15μ" / (.38μm) Au	LEAD FREE	7 AND 9
84516-092	YES	15μ" / (.38μm) GXT		
84516-092LF	YES	15μ" / (.38μm) GXT		
84516-102	YES	30μ" / (.76μm) Au	SnPb	9
84516-102LF	YES	30μ" / (.76μm) Au	LEAD FREE	7 AND 9
84516-192	YES	30μ" / (.76μm) GXT	SnPb	4, 5 AND 9
84516-192LF	YES	30μ" / (.76μm) GXT		
84516-202	YES	50μ" / (1.27μm) Au SPECIAL		
84516-202LF	YES	50μ" / (1.27μm) Au SPECIAL	LEAD FREE	4, 5, 7 AND 9
84516-292	YES	50μ" / (1.27μm) GXT SPECIAL		
84516-292LF	YES	50μ" / (1.27μm) GXT SPECIAL		
84516-A02	YES	30μ" / (.76μm) SPECIAL	SnPb	8
84516-A02LF	YES	30μ" / (.76μm) SPECIAL	LEAD FREE	7 AND 8
84516-302	YES	15μ" / (.38μm) Au SPECIAL	SnPb	8
84516-302LF	YES	15μ" / (.38μm) Au SPECIAL	LEAD FREE	7 AND 8
84516-402	YES	30μ" / (.76μm) Au SPECIAL	SnPb	8
84516-402LF	YES	30μ" / (.76μm) Au SPECIAL	LEAD FREE	7 AND 8
84516-502	YES	Au SPECIAL	SnPb	4, 5 AND 8
84516-502LF	YES	Au SPECIAL	LEAD FREE	4, 5, 7 AND 8



BOTTOM VIEW
SCALE 4:1



TOP VIEW
SCALE 4:1

spec ref	-	dr	wcadmin	2001/11/16	projection	mm	size	A3	scale	1:1
tolerance std	ASME Y14.5	eng	Dave Horchler	2012/11/21			ecn no	ELX-V-13512-1	rel level	Released
TOLERANCES UNLESS OTHERWISE SPECIFIED		chr	-	apppr						
surface	<input checked="" type="checkbox"/> linear <input type="checkbox"/> angular	0.X ±0.3 0.XX ±0.10 0.XXX ±0.050			title 0mm PLUG ASSEMBLY 10 x 20 = 200 POSITIONS		dwg no 84516	rev H	www.fci.com cat. no. Product - Customer Drw sheet 4 of 5	

Copyright FCI.

PRODUCT NUMBER

SEE TABLE

NOTES:

1. MATERIAL:
HOUSING: LCP
CONTACT: COPPER ALLOY

PLATING CONTACT: SEE TABLE ON SHEET 4
SOLDER BALL: SEE TABLE ON SHEET 4
EUTECTIC SnPb OR LEAD FREE
95.5Sn/4Ag/0.5Cu

2. SOLDER BALLS WILL NOT BE PERFECT
SPHERICAL SHAPE DUE TO REFLOW
ATTACHMENT.

3. MATED HEIGHT EFFECTED BY CUSTOMER'S
PCB PAD SIZE, PLATING, SOLDER REFLOW
PROFILE & SOLDER PASTE.

4. PLATING FOR INDICATED -2XX SERIES PRODUCT NUMBERS
MEET THE REQUIREMENTS OF
GR-1217-CORE, CENTRAL OFFICE ENVIRONMENT,
(25 YEAR LIFE EXPECTANCY).

5. PLATING FOR INDICATED -2XX SERIES PART NOS.
IS Au OVER Ni WITH SPECIAL CONTACT
GEOMETRY TO MEET REQUIREMENTS OF
TELCORDIA GR-1217-CORE: CENTRAL OFFICE ENVIRONMENT.

6. FOR PROPER APPLICATION FOLLOW FCI APPLICATION SPECIFICATION
GS-20-033. LEAD FREE SOLDER BALLS WILL NOT SOLDER PROPERLY
IN A LEADED SOLDER PROSESS DUE TO A HIGHER REFLOW TEMPERATURE
LEAD FREE PRODUCT IS THEREFORE NOT BACKWARDS COMPATIBLE WITH
LEADED OR SOME SOLDERING APPLICATIONS. REFERENCE FCI
APPLICATION SPECIFICATION.

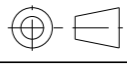
7. THIS PRODUCT MEETS EUROPEAN UNION DIRECTIVE AND OTHER
COUNTRY REGULATIONS AS DESCRIBED IN GS-47-0004. PRODUCT
MEETING THIS DIRECTIVE IS IDENTIFIED IN THE LOT CODE
NUMBER MARKED ON EACH PART BY HAVING AN "X" IN THE SEVENTH
CHARACTER POSITION.

8. 84516-A02 AND -A02LF PLATING IS CUSTOMER SPECIAL.

10. A  SYMBOL WILL BE NEXT TO ANY DIMENSION, NEW VIEW, OR NOTE
WHICH HAS BEEN MODIFIED WITH THE CURRENT DRAWING REVISION.



Copyright FCI.

spec ref	-	dr	w wadmin	2001/11/16	projection	mm	size	A3	scale	2:1
tolerance std	ASME Y14.5	eng	Dave Horchler	2012/11/21		← →	ecn no	ELX-V-13512-1		
	TOLERANCES UNLESS OTHERWISE SPECIFIED	chr	-	-				product family	MEG-ARRAY	rel level
surface	✓	appr	R Marshall	2012/11/26	0mm PLUG ASSEMBLY		dwg no	84516		rev
	linear				10 x 20 = 200 POSITIONS				H	
	angular				www.fci.com		cat. no.	Product - Customer Drw		sheet 5 of 5
		0.X	±0.3							
		0.XX	±0.10							
		0.XXX	±0.050							
		0°	±2°							