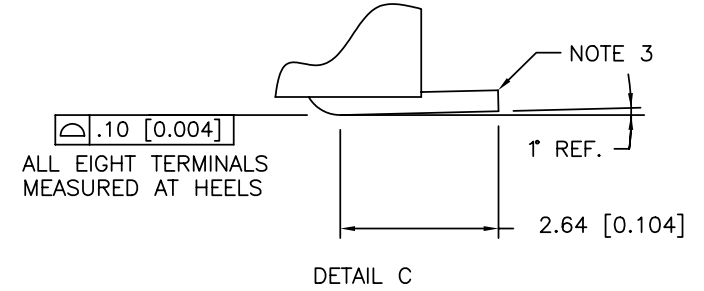
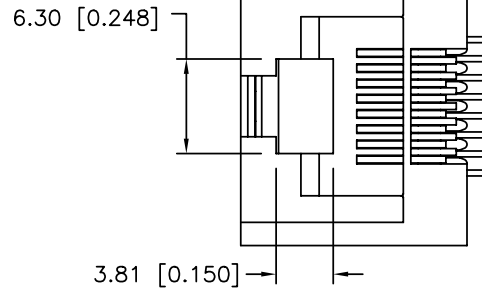
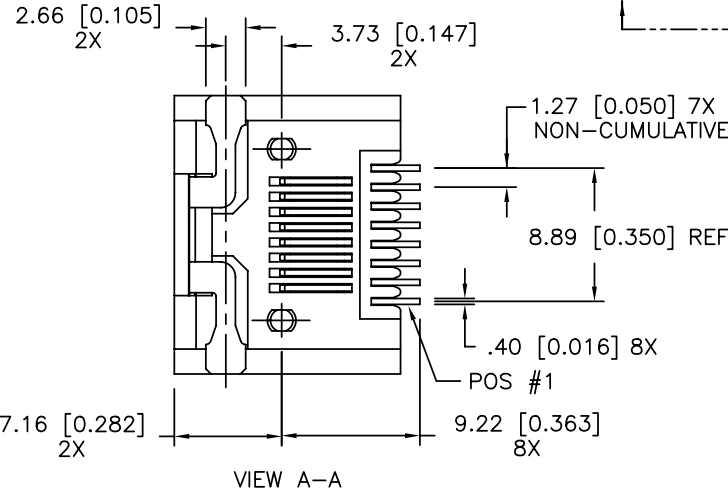
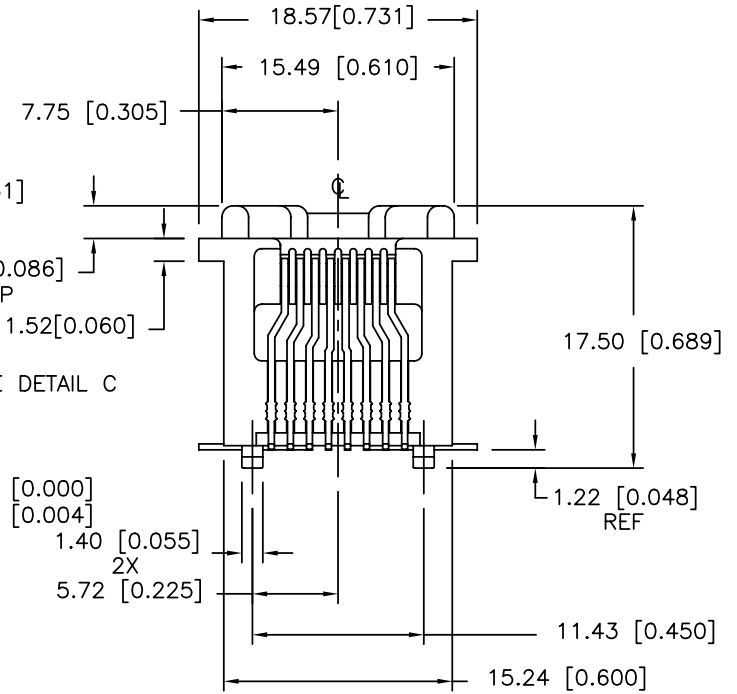
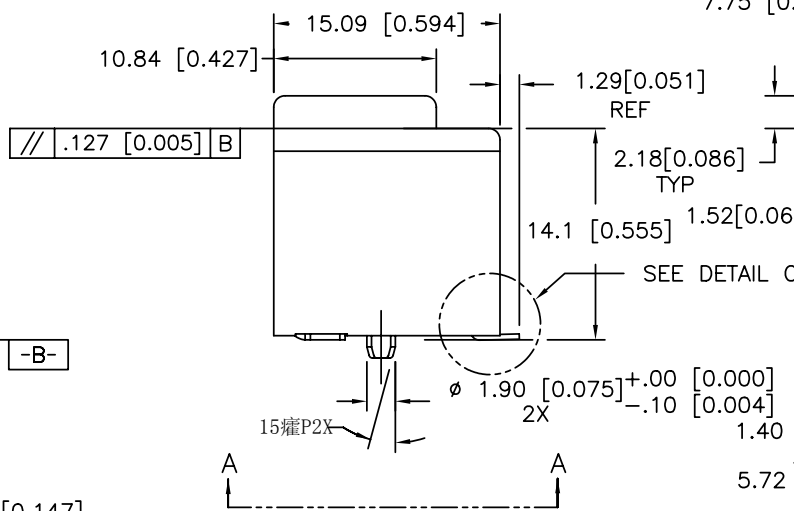
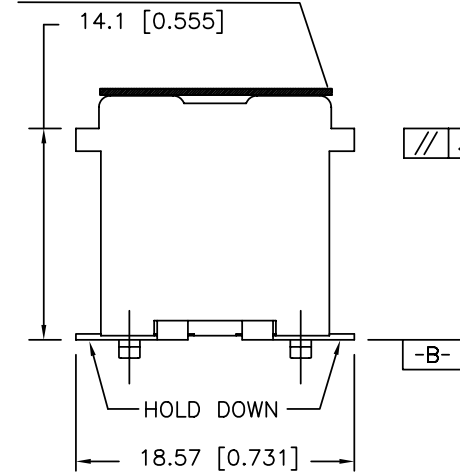


PRODUCT NO.

SEE TABLE



THE MYLAR ONLY FOR 87547-XXX1C/XXX1CLF SEE NOTE 7



mat'l. code				tolerances unless otherwise specified		CUSTOMER COPY		FCJ www.fcjconnect.com	
ltr	ecn no	dr	date	linear	.X±.3/.XX±.01		projection	title	
S	N08-0194	SH	09/08/08		.XX±.13/.XXX±.005			A-SMT ASSEMBLY VERT 8 POS	
K	V12666	LP	1/10/02		XXX±.051/.XXX±.0020			product family MOD JACK	
L	V21834	LP	12/2/02		0° ±2'			size dwg no	
M	V04-0861	DAI	08/30/04	dr	L.POTTEIGER	12/2/02	MM/INCH	code	
N	N05-0035	YS	02/18/05	engr	J.KONTOS	12/2/02	scale	213	
P	N05-0142	ZC	6/2/05	chr	J.KONTOS	12/2/02	1:1	sheet	
R	N07-0217	WG	09/07/07	appd	J.KONTOS	12/2/02	A4	1 of 2	
sheet index	revision	R	R						
	sheet	1	2						

PDM: Rev:S

STATUS: Released 2008 Jan 19, 2009

Tous droits strictement reserves. Reproduction ou communication a des tiers
 Interdite sous quelque forme que ce soit sans autorisation écrite du propriétaire.
 Propriete de c FCI. Droits de reproduction FCI.



All rights strictly reserved. Reproduction or issue to third parties in any
 form whatever is not permitted without written authority from the proprietor.
 Property of FCI. Copyright FCI.

PRODUCT NO.

87547-XXXX

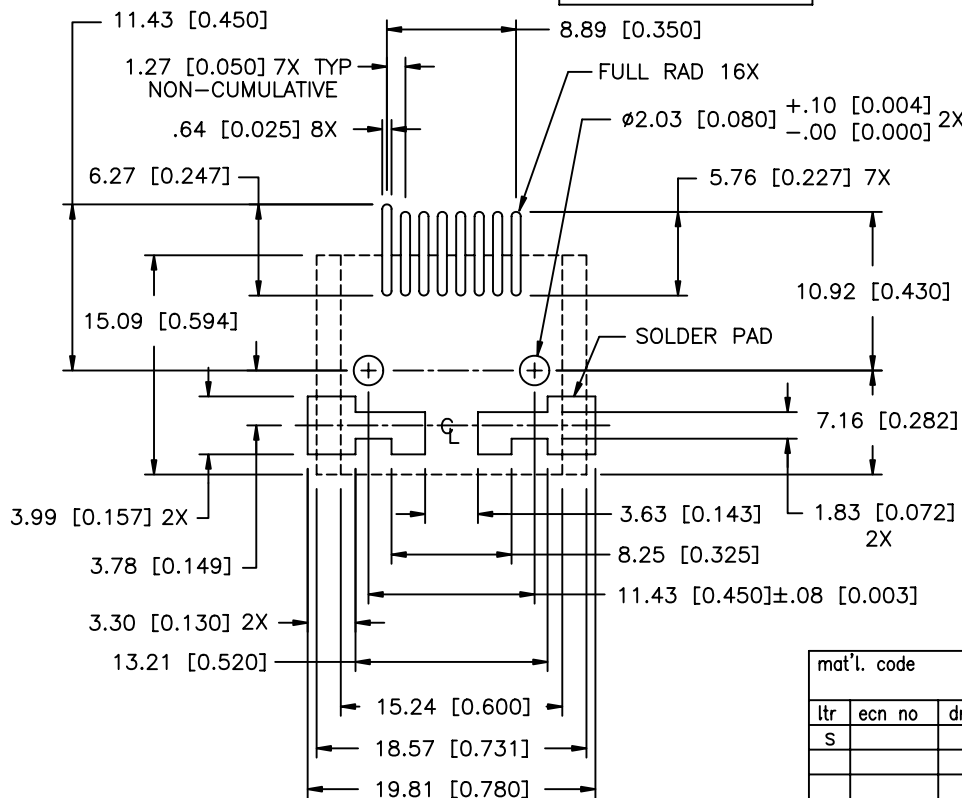
87547-XXXXLF

CONTACT PLATING OPTIONS	
1 = GXT .76µm [30µ"]	
2 = GOLD 1.27µm [50µ"]	
3 = PdNi .64µm [25µ"]	NOT TOOLED
4 = GOLD .76µm [30µ"]	

TERMINAL LOADING OPTIONS	
1 = FULLY LOADED 8 POSITION	
2 = POS. 1,2,7,8 LOADED, 4 POS.	
3 = POS. 3,4,5,6 LOADED, 4 POS	

COLOR	
1 = BLACK	
2 = RED	

PACKAGE OPTIONS		
BLISTER PACKAGE (TAPE & REEL) 1 = LOADED FACE UP		24" REEL
BLISTER PACKAGE (TAPE & REEL) 2 = LOADED FACE DOWN		NOT TOOLED
3 = PACKAGED IN TUBES		NOT TOOLED
4 = PACKAGED IN TRAYS		
BLISTER PACKAGE (TAPE & REEL) 5 = LOADED FACE UP		15" REEL



RECOMMENDED PC BOARD L/O

NOTES:

- MATERIAL: HOUSING - THERMOPLASTIC V-0
CONTACT - PHOSPHOR BRONZE
- PLATING: SOLDER TAILS - FOR 87547-XXXX : 2.54 µm [100 µIN] MIN. TIN LEAD OVER 2.54 µm [100 µIN] NICKEL
FOR 87547-XXXXLF: 2 µm [80 µIN] MIN. PURE MATTE TIN OVER 1.27 µm [50 µIN] MIN. NICKEL
HOLDDOWN - FOR 87547-XXXX: 2.54 µm [100 µIN] MIN TIN LEAD OVER 2.54 µm [100 µIN] NICKEL
FOR 87547-XXXXLF: 2µm [80 µIN] MIN. PURE TIN OVER 1.27 µm [50 µIN] MIN. NICKEL
CONTACT AREA PLATING - SEE CHART ON SHEET 2
- MAX "TOE UP" AT TIP = 0.127 [0.005]
- IF LF P/N PACKAGING MEETS GS-14-920 SPECIFICATION.
- THE HOUSING WILL WITHSTAND EXPOSURE TO 260°C PEAK TEMPERATURE FOR 40 SECONDS IN A CONVECTION, INFRA-RED OR VAPOR PHASE REFLOW OVEN.
- IF LF P/N THE PRODUCT MEETS EUROPEAN UNION DIRECTIVES AND OTHER COUNTRY REGULATIONS AS DESCRIBED IN GS-22-008.
- APPLY THE MYLAR ON THE P/N 87547-XXX1 WITH SUFFIX "C" FOR PICKING UP. FOR INSTANCE 87547-4111CLF .

mat'l. code		tolerances unless otherwise specified		CUSTOMER COPY		FCI		www.fciconnect.com	
ltr	ecn no	dr	date	linear	.X±.3/.XX±.01	projection	title		
S					.XX±.13/.XXX±.005		A-SMT ASSEMBLY		
				angles	.XXX±.051/.XXX±.0020		VERT 8 POS		
				dr	0° ±2°	MM/INCH	product family	MOD JACK	code
				enr	L.POTTEIGER 12/2/02	scale	size	dwg no	213
				chr	J.KONTOS 12/2/02	1:1	A4	87547	sheet
				appd	J.KONTOS 12/2/02				2 of
sheet index	revision sheet								

Tous droits strictement reserves. Reproduction ou communication a des tiers interdite sous quelque forme que ce soit sans autorisation ecrite du proprietaire. Propriete de c FCI. Droits de reproduction FCI.



All rights strictly reserved. Reproduction or issue to third parties in any form whatever is not permitted without written authority from the proprietor. Property of FCI. Copyright FCI.