

PLEASE CHECK WWW.MOLEX.COM FOR LATEST PART INFORMATION

Part Number: [0885271001](#)
Status: **Active**
Description: FC/APC-to-SC/PC, Singlemode, 9/125µm/G652, Simplex, 0.90mm (.035"), Standard Fiber Optic Cable Assembly, 2.0m (6.56')

Documents:

[Drawing \(PDF\)](#) [RoHS Certificate of Compliance \(PDF\)](#)

General

Product Family	Fiber Optic Assemblies
Series	88527
Connector to Connector	FC/APC-to-SC/PC
Mode	Singlemode
Product Name	FC, SC

Physical

Cable Length	2.0m (6.56')
Cable Size	0.90mm (.035")
Fiber (Core/Cladding)	9/125µm/G652
Single Ended	No
Wire/Cable Type	Simplex

Material Info

Reference - Drawing Numbers

Sales Drawing	SD-88527-008
---------------	--------------

EU RoHS

RoHS Compliant by Exemption
REACH SVHC
Not Reviewed
Halogen-Free
Status
Not Reviewed

China RoHS

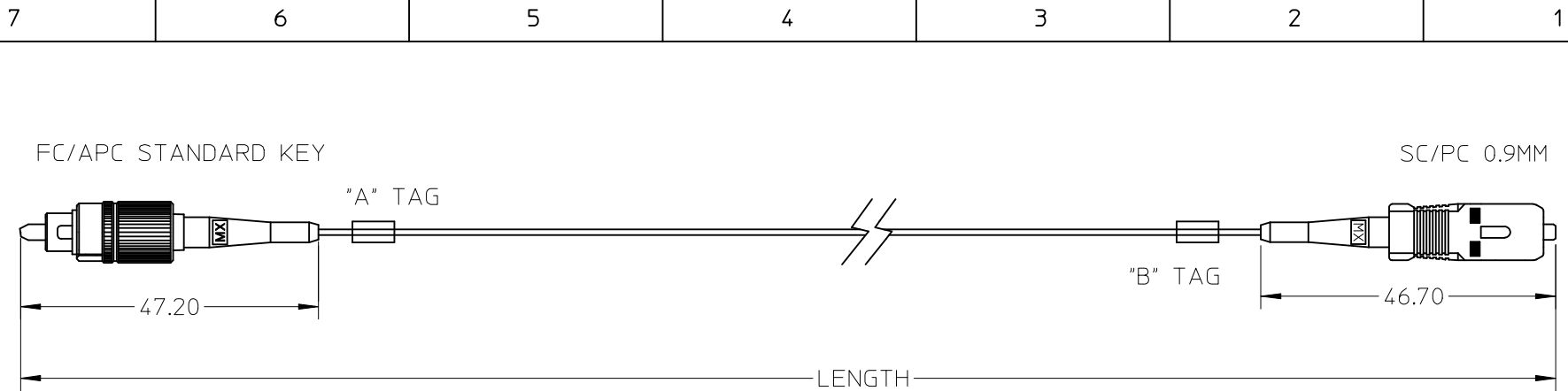


Need more information on product environmental compliance?

Email productcompliance@molex.com
For a multiple part number RoHS Certificate of Compliance, [click here](#)

Please visit the [Contact Us](#) section for any non-product compliance questions.

Search Parts in this Series
[88527Series](#)



885271004	FC/APC-SC/PC SIM SM 0.9MM 10M	10000(+200/-0)
885271003	FC/APC-SC/PC SIM SM 0.9MM 5M	5000(+200/-0)
885271002	FC/APC-SC/PC SIM SM 0.9MM 3M	3000(+200/-0)
885271001	FC/APC-SC/PC SIM SM 0.9MM 2M	2000(+200/-0)
885271000	FC/APC-SC/PC SIM SM 0.9MM 1M	1000(+100/-0)
MX P/N	DESCRIPTION	LENGTH

NOTES:
 1. DUST CAPS ARE NOT SHOWN
 2. PER CHANNEL @ 1310nm
 FC/APC: IL<=0.40dB, RL>60dB
 SC/PC: IL<=0.30dB, RL>50dB

ENTER DESCRIPTION EC NO: DG2009-0079 DRWN:XPCHEN CHKD: APPR:JOWANG	2008/11/10 2008/11/10 2008/11/12	DESCRIPTION REV	QUALITY SYMBOLS ▽=0 ◻=0	GENERAL TOLERANCES (UNLESS SPECIFIED)		DIMENSION STYLE	SCALE	DESIGN UNITS	THIRD ANGLE PROJECTION
						MM ONLY	---	METRIC	
						DRAWN BY	DATE	TITLE	
						CHECKED BY	DATE	FC/APC-SC/PC SIM SM 0.9MM	
						APPROVED BY	DATE		
		MATERIAL NO. ENTER PART		DOCUMENT NO. SD-88527-008	SHEET NO. 1 OF 00				
		DRAFT WHERE APPLICABLE MUST REMAIN WITHIN DIMENSIONS		THIS DRAWING CONTAINS INFORMATION THAT IS PROPRIETARY TO MOLEX INCORPORATED AND SHOULD NOT BE USED WITHOUT WRITTEN PERMISSION					