

**Glenair's Back-To-Back Nano Connectors** feature gold alloy TwistPin contacts. Contacts are precision-cripped to insulated, stranded wire. These nanominiature connectors offer premium performance and reliability for demanding applications. Contact spacing is .025 inches. 1 amp current rating, DWV rating 300 volts AC. Wire gages #30 and #32 AWG.

**TwistPin Contact System** assures premium performance in demanding environments. The gold/platinum alloy contacts will stand up to years of exposure without corrosion.

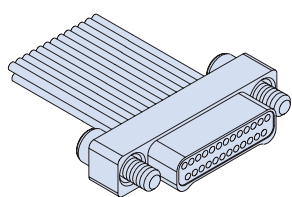
### HOW TO ORDER DOUBLE ROW BACK-TO-BACK JUMPERS

| Series  | Number of Contacts   | Connector Type   | Shell Material and Finish  | Wire Gage   | Wire Type  | Wire Color Code    | Length Inches  | Hardware   |
|---|--|--|--|---|--|--------------------|--|--|
| 891-005<br>Back-To-Back Cables,<br>Double Row,<br>Nanominiature | 9  | <b>GP</b>  | <b>A1</b><br>Aluminum Shell,<br>Cadmium Plating  | <b>0</b><br>#30 AWG   | <b>A</b><br>Ultralightweight<br>XLETFE Insulation,<br>Silver-Coated<br>Ultrahigh-Strength<br>Copper (Not available<br>for #32 AWG) | <b>1</b><br>White  | <b>Overall<br/>Length<br/>In Inches<br/>Including<br/>Connectors</b><br><br><b>Example:<br/>"12"<br/>specifies<br/>12 inches<br/>OAL</b> | <b>JJ</b> = Jackscrews on<br>both ends (GP, GS, CS)<br><b>JT</b> = Jackscrews on<br>plug, threaded holes on<br>receptacle (CS)<br><b>JP</b> = Jackscrews on<br>plug, threaded holes on<br>plug (GP)(*See Note<br>Below)<br><b>TJ</b> = Jackscrews on<br>receptacle, threaded<br>holes on plug<br>(CS)(*See Note Below)<br><b>JR</b> = Jackscrews on<br>receptacle, threaded<br>holes on receptacle<br>(GS)<br><b>TT</b> = Threaded holes<br>both ends (GP, GS,<br>CS)(*See Note Below)<br><br>* Specify titanium or<br>stainless steel shells<br>when ordering plugs<br>with female threads. |
|   | 15   | Plug (Pin)<br>Connector on<br>Both Ends                          |  |   |  |                    |  |  |
|   | 21   | <b>GS</b><br>Receptacle<br>(Socket)<br>Connector on<br>Both Ends | <b>A2</b><br>Aluminum Shell,<br>Electroless<br>Nickel Plating  | <b>2</b><br>#32 AWG   | <b>B</b><br>Extruded PTFE<br>Insulation, NEMA HP3-<br>ETX (MIL-W-16878/6)  | <b>2</b><br>Yellow |  |  |
|   | 25   |  |  |   |  |                    |  |  |
|   | 31   |  |  |   |  |                    |  |  |
| 37  | <b>CS</b><br>Plug (Pin)<br>On One End,<br>Receptacle On<br>The Other End | <b>T</b><br>Titanium Shell,<br>Unplated                          | <b>C</b><br>Cross-Linked Modified<br>ETFE Insulation, MIL-<br>W-22759/33<br>(Not available for #32<br>AWG) | <b>7</b><br>10 Color<br>Repeating<br>(wire<br>type A is<br>striped,<br>types B<br>and C<br>are solid<br>colors) |  |                    |  |  |
| 51  |  |  |  |   | <b>S</b><br>Stainless Steel<br>Shell, Passivated   |                    |  |  |

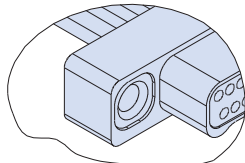
#### Sample Part Number

891-005 — 9 GP A1 —0 A 1 — 12 J

#### PLUG (PIN) CONNECTOR

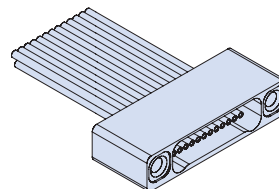


"J" Jackscrew Option

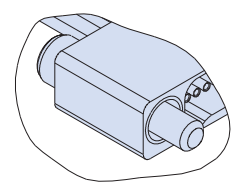


"T" Female Thread Option  
Titanium or Stainless Steel  
Shells Only

#### RECEPTACLE (SOCKET) CONNECTOR



"T" Female Thread Option

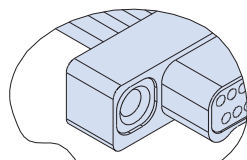
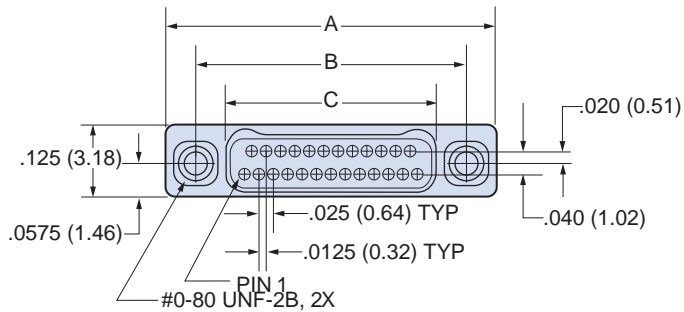
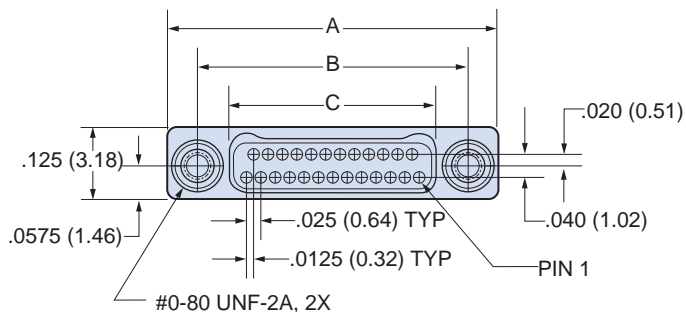


"J" Jackscrew Option

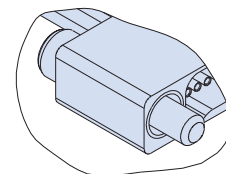
### DOUBLE ROW NANO BACK-TO-BACK PIGTAIL DIMENSIONS

#### Plug (Pin) Connectors

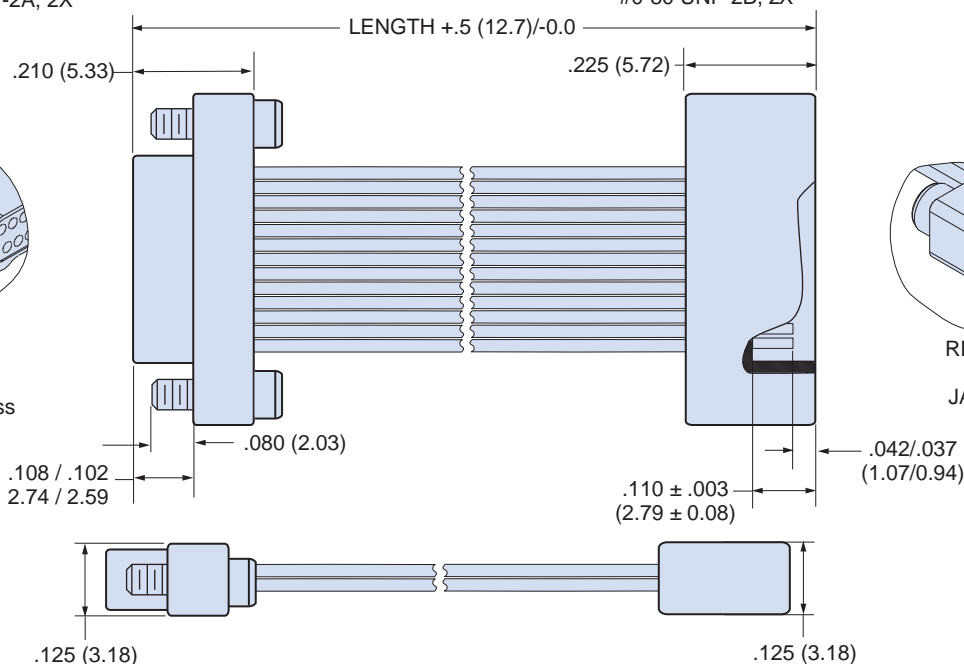
#### Receptacle (Socket) Connectors



PLUG WITH "T"  
FEMAL THREAD  
OPTION  
Titanium or Stainless  
Steel Shells Only



RECEPTACLE  
WITH "J"  
JACKSCREW  
OPTION



| Layout | A          |           | B BSC. |       | C BSC. |       |
|--------|------------|-----------|--------|-------|--------|-------|
|        | In. ± .005 | mm. ±0.13 | In.    | mm.   | In.    | mm.   |
| 9P     | .375       | 9.52      | .270   | 6.86  | .160   | 4.06  |
| 9S     | .375       | 9.52      | .270   | 6.86  | .163   | 4.14  |
| 15P    | .450       | 11.43     | .345   | 8.76  | .235   | 5.97  |
| 15S    | .450       | 11.43     | .345   | 8.76  | .238   | 6.04  |
| 21P    | .525       | 13.33     | .420   | 10.67 | .310   | 7.87  |
| 21S    | .525       | 13.33     | .420   | 10.67 | .313   | 7.95  |
| 25P    | .575       | 14.60     | .470   | 11.94 | .360   | 9.14  |
| 25S    | .575       | 14.60     | .470   | 11.94 | .363   | 9.22  |
| 31P    | .650       | 16.51     | .545   | 13.84 | .435   | 11.05 |
| 31S    | .650       | 16.51     | .545   | 13.84 | .438   | 11.12 |
| 37P    | .725       | 18.41     | .620   | 15.75 | .510   | 12.95 |
| 37S    | .725       | 18.41     | .620   | 15.75 | .513   | 13.03 |
| 51P    | .900       | 22.86     | .795   | 20.19 | .685   | 17.40 |
| 51S    | .900       | 22.86     | .795   | 20.19 | .688   | 17.47 |