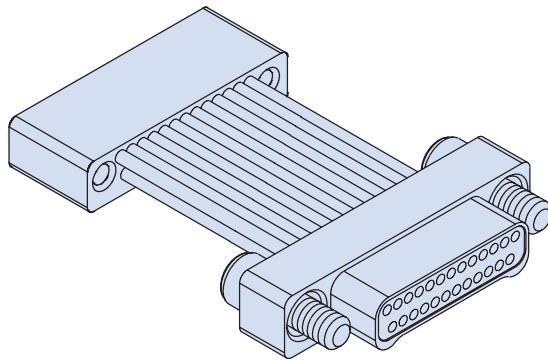


891-005
Series 89 Nanominiature Connectors
Double Row Back-To-Back



Double Row Connectors



Glenair's Back-To-Back Nano Connectors feature gold alloy TwistPin contacts. Contacts are precision-cripped to insulated, stranded wire. These nanominiature connectors offer premium performance and reliability for demanding applications. Contact spacing is .025 inches. 1 amp current rating, DWV rating 300 volts AC. Wire gages #30 and #32 AWG.

TwistPin Contact System assures premium performance in demanding environments. The gold/platinum alloy contacts will stand up to years of exposure without corrosion.

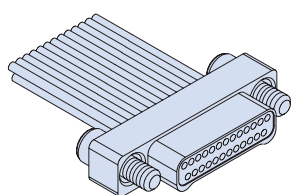
HOW TO ORDER DOUBLE ROW BACK-TO-BACK JUMPERS

| Series | Number of Contacts | Connector Type | Shell Material and Finish | Wire Gage | Wire Type | Wire Color Code | Length Inches | Hardware |
|--|--------------------------|--|---------------------------------|-----------|--|-----------------|--|---|
| 891-005 Back-To-Back Cables, Double Row, Nanominiature | 9 | GP | A1 | 0 | A | 1 | Overall Length In Inches Including Connectors Example: "12" specifies 12 inches OAL | JJ = Jackscrews on both ends (GP, GS, CS) JT = Jackscrews on plug, threaded holes on receptacle (CS) JP = Jackscrews on plug, threaded holes on plug (GP)(*See Note Below) TJ = Jackscrews on receptacle, threaded holes on plug (CS)(*See Note Below) JR = Jackscrews on receptacle, threaded holes on receptacle (GS) TT = Threaded holes both ends (GP, GS, CS)(*See Note Below) * Specify titanium or stainless steel shells when ordering plugs with female threads. |
| | 15 | Plug (Pin) Connector on Both Ends | Aluminum Shell, Cadmium Plating | #30 AWG | Ultralightweight XLETFE Insulation, Silver-Coated | White | | |
| | 21 | Receptacle (Socket) Connector on Both Ends | A2 | #32 AWG | Ultra-high-Strength Copper (Not available for #32 AWG) | 2 | | |
| | 25 | | | | Aluminum Shell, Electroless Nickel Plating | Yellow | | |
| | 31 | Receptacle (Socket) Connector on Both Ends | GS | T | Extruded PTFE Insulation, NEMA HP3-ETX (MIL-W-16878/6) | 7 | | |
| 37 | Titanium Shell, Unplated | | | | | | 10 Color Repeating (wire type A is striped, types B and C are solid colors) | |
| 51 | | | | | | | | S |
| | | Plug (Pin) On One End, Receptacle On The Other End | Titanium Shell, Unplated | | | | | |

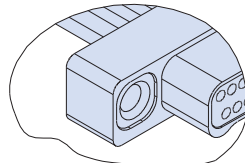
Sample Part Number

| | | | | | | | | |
|----------------|------------|-----------|-----------|-----------|----------|----------|-------------|----------|
| 891-005 | — 9 | GP | A1 | —0 | A | 1 | — 12 | J |
|----------------|------------|-----------|-----------|-----------|----------|----------|-------------|----------|

PLUG (PIN) CONNECTOR

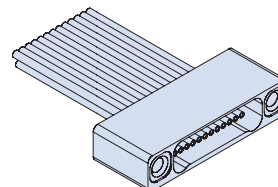


"J" Jackscrew Option

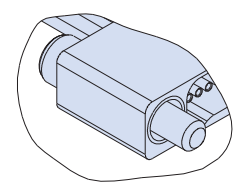


"T" Female Thread Option
Titanium or Stainless Steel Shells Only

RECEPTACLE (SOCKET) CONNECTOR



"T" Female Thread Option



"J" Jackscrew Option

DOUBLE ROW NANO BACK-TO-BACK PIGTAIL DIMENSIONS

Plug (Pin) Connectors

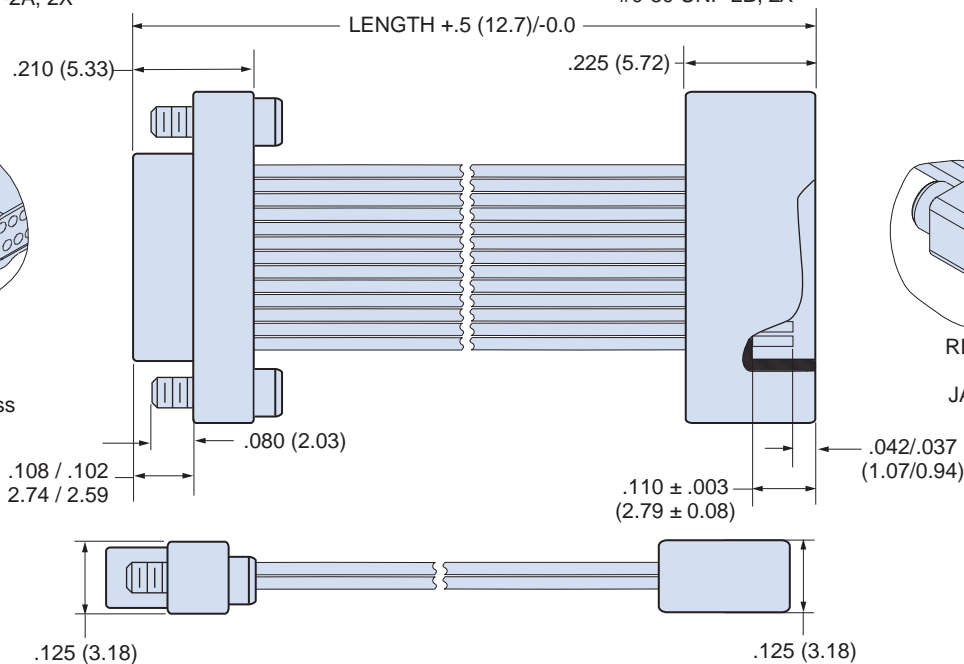
Receptacle (Socket) Connectors



PLUG WITH "T"
FEMAL THREAD
OPTION
Titanium or Stainless
Steel Shells Only



RECEPTACLE
WITH "J"
JACKSCREW
OPTION



| Layout | A | | B BSC. | | C BSC. | |
|--------|------------|-----------|--------|-------|--------|-------|
| | In. ± .005 | mm. ±0.13 | In. | mm. | In. | mm. |
| 9P | .375 | 9.52 | .270 | 6.86 | .160 | 4.06 |
| 9S | .375 | 9.52 | .270 | 6.86 | .163 | 4.14 |
| 15P | .450 | 11.43 | .345 | 8.76 | .235 | 5.97 |
| 15S | .450 | 11.43 | .345 | 8.76 | .238 | 6.04 |
| 21P | .525 | 13.33 | .420 | 10.67 | .310 | 7.87 |
| 21S | .525 | 13.33 | .420 | 10.67 | .313 | 7.95 |
| 25P | .575 | 14.60 | .470 | 11.94 | .360 | 9.14 |
| 25S | .575 | 14.60 | .470 | 11.94 | .363 | 9.22 |
| 31P | .650 | 16.51 | .545 | 13.84 | .435 | 11.05 |
| 31S | .650 | 16.51 | .545 | 13.84 | .438 | 11.12 |
| 37P | .725 | 18.41 | .620 | 15.75 | .510 | 12.95 |
| 37S | .725 | 18.41 | .620 | 15.75 | .513 | 13.03 |
| 51P | .900 | 22.86 | .795 | 20.19 | .685 | 17.40 |
| 51S | .900 | 22.86 | .795 | 20.19 | .688 | 17.47 |