

**Glenair's Back-To-Back Nano Connectors** feature gold alloy TwistPin contacts. Contacts are precision- crimped to insulated, stranded wire. These nanominiature connectors offer premium performance and reliability for demanding applications. Contact spacing is .025 inches. 1 amp current rating, DWV rating 300 volts AC. Wire gages #30 and #32 AWG.

**TwistPin Contact System** assures premium performance in demanding environments. The gold/platinum alloy contacts will stand up to years of exposure without corrosion.

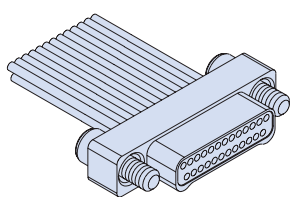
**HOW TO ORDER DOUBLE ROW BACK-TO-BACK JUMPERS**

| Series  | Number of Contacts  | Connector Type  | Shell Material and Finish   | Wire Gage   | Wire Type   | Wire Color Code    | Length Inches  | Hardware  |
|---|---|---|---|---|---|--------------------|--|---|
| 891-005<br>Back-To-Back Cables, Double Row, Nanominiature | 9   | <b>GP</b>   | <b>A1</b><br>Aluminum Shell, Cadmium Plating  | <b>0</b><br>#30 AWG   | <b>A</b><br>Ultralightweight XLETFE Insulation, Silver-Coated Ultrahigh-Strength Copper (Not available for #32 AWG) | <b>1</b><br>White  | <b>Overall Length In Inches Including Connectors</b><br><br><b>Example: "12" specifies 12 inches OAL</b> | <b>JJ</b> = Jackscrews on both ends (GP, GS, CS)<br><b>JT</b> = Jackscrews on plug, threaded holes on receptacle (CS)<br><b>JP</b> = Jackscrews on plug, threaded holes on plug (GP)(*See Note Below)<br><b>TJ</b> = Jackscrews on receptacle, threaded holes on plug (CS)(*See Note Below)<br><b>JR</b> = Jackscrews on receptacle, threaded holes on receptacle (GS)<br><b>TT</b> = Threaded holes both ends (GP, GS, CS)(*See Note Below)<br><br>* Specify titanium or stainless steel shells when ordering plugs with female threads. |
|   | 15  | Plug (Pin) Connector on Both Ends                       |   |   |   |                    |  |   |
|   | 21  | <b>GS</b><br>Receptacle (Socket) Connector on Both Ends | <b>A2</b><br>Aluminum Shell, Electroless Nickel Plating                                       | <b>2</b><br>#32 AWG   | <b>B</b><br>Extruded PTFE Insulation, NEMA HP3-ETX (MIL-W-16878/6)  | <b>2</b><br>Yellow |  |   |
|   | 25  |   |   |   |   |                    |  |   |
|   | 31  |   |   |   |   |                    |  |   |
| 37  | <b>CS</b><br>Plug (Pin) On One End, Receptacle On The Other End | <b>T</b><br>Titanium Shell, Unplated                    | <b>C</b><br>Cross-Linked Modified ETFE Insulation, MIL-W-22759/33 (Not available for #32 AWG) | <b>7</b><br>10 Color Repeating (wire type A is striped, types B and C are solid colors) |   |                    |  |   |
| 51  |   |   |   |   |   |                    |  |   |

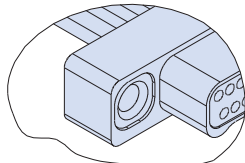
**Sample Part Number**

|         |     |    |    |    |   |   |      |   |
|---------|-----|----|----|----|---|---|------|---|
| 891-005 | — 9 | GP | A1 | —0 | A | 1 | — 12 | J |
|---------|-----|----|----|----|---|---|------|---|

**PLUG (PIN) CONNECTOR**

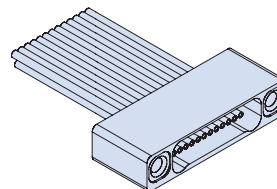


"J" Jackscrew Option

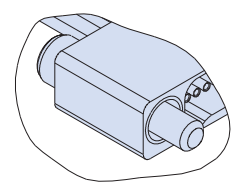


"T" Female Thread Option  
Titanium or Stainless Steel Shells Only

**RECEPTACLE (SOCKET) CONNECTOR**



"T" Female Thread Option

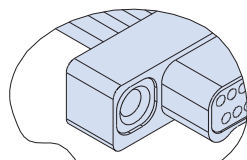
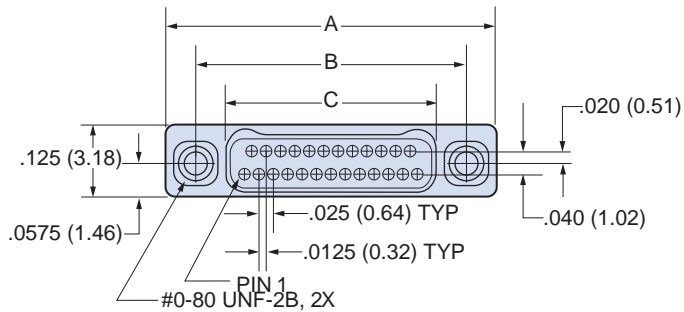
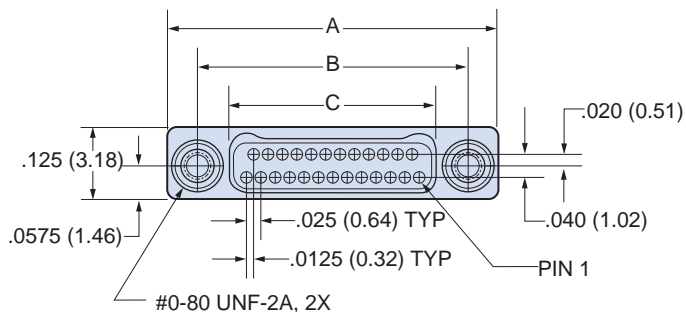


"J" Jackscrew Option

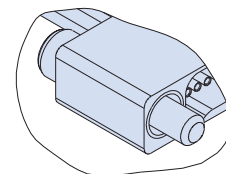
DOUBLE ROW NANO BACK-TO-BACK PIGTAIL DIMENSIONS

Plug (Pin) Connectors

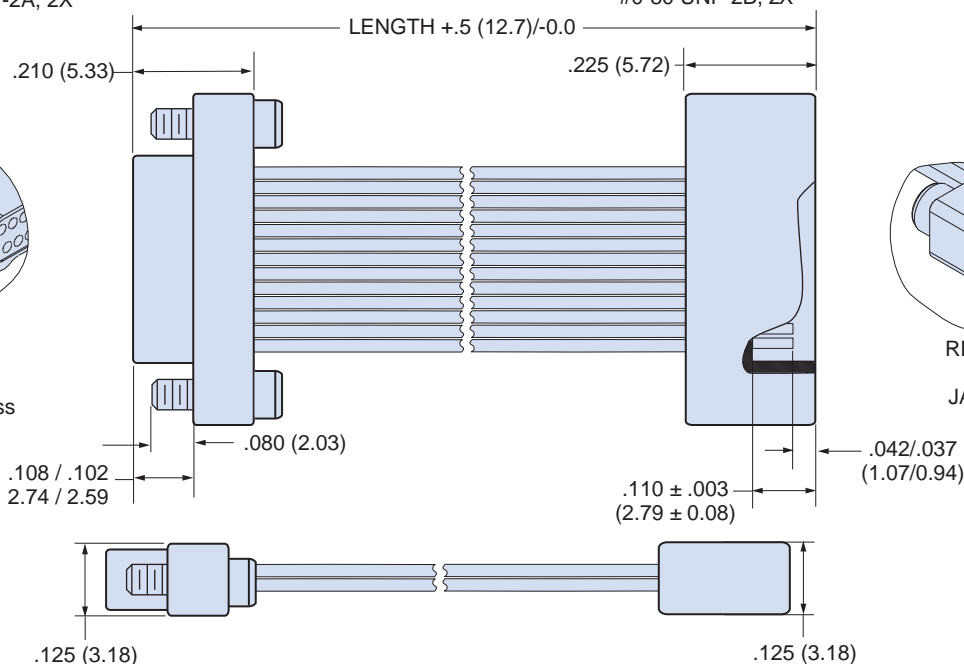
Receptacle (Socket) Connectors



PLUG WITH "T"  
FEMAL THREAD  
OPTION  
Titanium or Stainless  
Steel Shells Only



RECEPTACLE  
WITH "J"  
JACKSCREW  
OPTION



| Layout | A          |           | B BSC. |       | C BSC. |       |
|--------|------------|-----------|--------|-------|--------|-------|
|        | In. ± .005 | mm. ±0.13 | In.    | mm.   | In.    | mm.   |
| 9P     | .375       | 9.52      | .270   | 6.86  | .160   | 4.06  |
| 9S     | .375       | 9.52      | .270   | 6.86  | .163   | 4.14  |
| 15P    | .450       | 11.43     | .345   | 8.76  | .235   | 5.97  |
| 15S    | .450       | 11.43     | .345   | 8.76  | .238   | 6.04  |
| 21P    | .525       | 13.33     | .420   | 10.67 | .310   | 7.87  |
| 21S    | .525       | 13.33     | .420   | 10.67 | .313   | 7.95  |
| 25P    | .575       | 14.60     | .470   | 11.94 | .360   | 9.14  |
| 25S    | .575       | 14.60     | .470   | 11.94 | .363   | 9.22  |
| 31P    | .650       | 16.51     | .545   | 13.84 | .435   | 11.05 |
| 31S    | .650       | 16.51     | .545   | 13.84 | .438   | 11.12 |
| 37P    | .725       | 18.41     | .620   | 15.75 | .510   | 12.95 |
| 37S    | .725       | 18.41     | .620   | 15.75 | .513   | 13.03 |
| 51P    | .900       | 22.86     | .795   | 20.19 | .685   | 17.40 |
| 51S    | .900       | 22.86     | .795   | 20.19 | .688   | 17.47 |