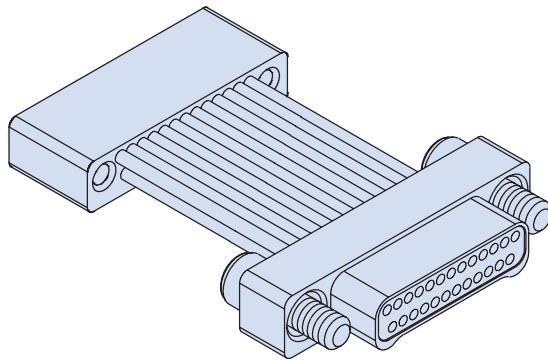


**891-005**  
**Series 89 Nanominiature Connectors**  
**Double Row Back-To-Back**



Double Row Connectors



*Glenair's Back-To-Back Nano Connectors* feature gold alloy TwistPin contacts. Contacts are precision-cripped to insulated, stranded wire. These nanominiature connectors offer premium performance and reliability for demanding applications. Contact spacing is .025 inches. 1 amp current rating, DWV rating 300 volts AC. Wire gages #30 and #32 AWG.

*TwistPin Contact System* assures premium performance in demanding environments. The gold/platinum alloy contacts will stand up to years of exposure without corrosion.

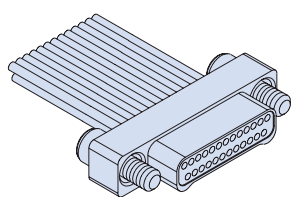
**HOW TO ORDER DOUBLE ROW BACK-TO-BACK JUMPERS**

Series	Number of Contacts	Connector Type	Shell Material and Finish	Wire Gage	Wire Type	Wire Color Code	Length Inches	Hardware
<b>891-005</b> Back-To-Back Cables, Double Row, Nanominiature	<b>9</b>	<b>GP</b>	<b>A1</b>	<b>0</b>	<b>A</b>	<b>1</b>	<b>Overall Length</b> <b>In Inches</b> <b>Including Connectors</b>  <b>Example:</b> <b>"12"</b> <b>specifies</b> <b>12 inches</b> <b>OAL</b>	<b>JJ</b> = Jackscrews on both ends (GP, GS, CS) <b>JT</b> = Jackscrews on plug, threaded holes on receptacle (CS) <b>JP</b> = Jackscrews on plug, threaded holes on plug (GP)(*See Note Below) <b>TJ</b> = Jackscrews on receptacle, threaded holes on plug (CS)(*See Note Below) <b>JR</b> = Jackscrews on receptacle, threaded holes on receptacle (GS) <b>TT</b> = Threaded holes both ends (GP, GS, CS)(*See Note Below)  * Specify titanium or stainless steel shells when ordering plugs with female threads.
	<b>15</b>	Plug (Pin) Connector on Both Ends	Aluminum Shell, Cadmium Plating	#30 AWG	Ultralightweight XLETFE Insulation, Silver-Coated	White		
	<b>21</b>	Receptacle (Socket) Connector on Both Ends	<b>A2</b>	#32 AWG	Ultra-high-Strength Copper (Not available for #32 AWG)	<b>2</b>		
	<b>25</b>				Aluminum Shell, Electroless Nickel Plating	Yellow		
	<b>31</b>	Plug (Pin) On One End, Receptacle On The Other End	<b>T</b>	Titanium Shell, Unplated	<b>B</b>	<b>7</b>		
<b>37</b>	Extruded PTFE Insulation, NEMA HP3-ETX (MIL-W-16878/6)						10 Color Repeating (wire type A is striped, types B and C are solid colors)	
<b>51</b>								<b>C</b>
	<b>S</b>	Stainless Steel Shell, Passivated						

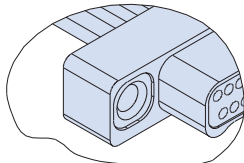
**Sample Part Number**

<b>891-005</b>	<b>— 9</b>	<b>GP</b>	<b>A1</b>	<b>—0</b>	<b>A</b>	<b>1</b>	<b>— 12</b>	<b>J</b>
----------------	------------	-----------	-----------	-----------	----------	----------	-------------	----------

**PLUG (PIN) CONNECTOR**

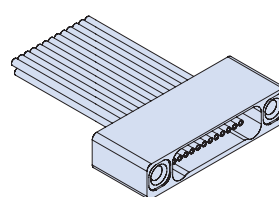


"J" Jackscrew Option

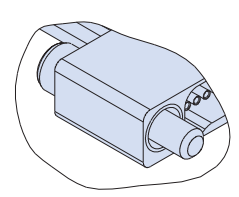


"T" Female Thread Option  
Titanium or Stainless Steel Shells Only

**RECEPTACLE (SOCKET) CONNECTOR**



"T" Female Thread Option



"J" Jackscrew Option

DOUBLE ROW NANO BACK-TO-BACK PIGTAIL DIMENSIONS

Plug (Pin) Connectors

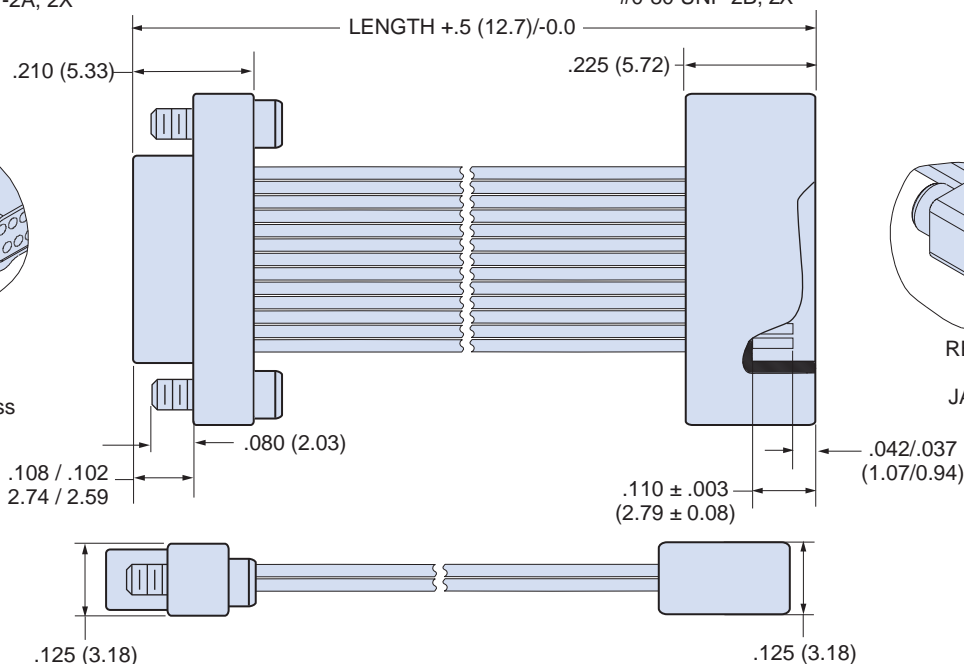
Receptacle (Socket) Connectors



PLUG WITH "T"  
FEMAL THREAD  
OPTION  
Titanium or Stainless  
Steel Shells Only



RECEPTACLE  
WITH "J"  
JACKSCREW  
OPTION



Layout	A		B BSC.		C BSC.	
	In. ± .005	mm. ±0.13	In.	mm.	In.	mm.
9P	.375	9.52	.270	6.86	.160	4.06
9S	.375	9.52	.270	6.86	.163	4.14
15P	.450	11.43	.345	8.76	.235	5.97
15S	.450	11.43	.345	8.76	.238	6.04
21P	.525	13.33	.420	10.67	.310	7.87
21S	.525	13.33	.420	10.67	.313	7.95
25P	.575	14.60	.470	11.94	.360	9.14
25S	.575	14.60	.470	11.94	.363	9.22
31P	.650	16.51	.545	13.84	.435	11.05
31S	.650	16.51	.545	13.84	.438	11.12
37P	.725	18.41	.620	15.75	.510	12.95
37S	.725	18.41	.620	15.75	.513	13.03
51P	.900	22.86	.795	20.19	.685	17.40
51S	.900	22.86	.795	20.19	.688	17.47