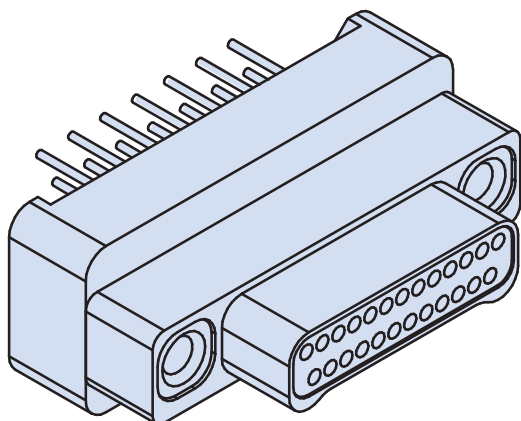


**891-006 and -007**  
**Series 89 Nanominiature Connectors**  
**Double Row Thru Hole Vertical Mount Printed Circuit Board**



Double Row Connectors



**Vertical Mount PCB Nano Connectors** feature gold alloy TwistPin contacts. These nanominiature connectors offer premium performance and reliability for demanding applications. Available with #0-80 female threads, or with jackscrews for use with flexible circuits.

**Pre-Tinned PC Tails** are coated with Sn63Pb37 tin-lead for excellent solderability.

**Choose Aluminum, Titanium or Stainless Steel Shells** in seven layouts from 9 to 51 contacts. Complies to the requirements of MIL-DTL-32139. These connectors are intermateable with any corresponding Glenair Series 891 Double row metal shell nanominiature connector.

**HOW TO ORDER VERTICAL MOUNT PCB CONNECTORS**

| Series   | Insert Arrangement/<br>Contact Type | Shell Material and Finish                                     | Termination Type                             | PC Tail Length                  | Hardware   |
|--|-------------------------------------|---|--|---------------------------------|--|
| <b>891-006</b><br>Plug, Pin Contacts,<br>Double Row, Vertical<br>PCB Nanominiature             | Plugs (891-006)                     | <b>A1</b><br>Aluminum Shell,<br>Cadmium Plating               | <b>BST</b><br>"Board Straight Thru-<br>Hole" | <b>1</b><br>.110 Inch (2.79 mm) | <b>J</b><br>Jackscrew, #0-80<br><br><b>T</b><br>#0-80<br>Female Thread |
|  | <b>9P</b>                           | <b>A2</b><br>Aluminum Shell,<br>Electroless Nickel<br>Plating |  | <b>2</b><br>.172 Inch (4.37 mm) |  |
|  | <b>15P</b>                          |   |  |                                 |  |
|  | <b>21P</b>                          |   |  |                                 |  |
|  | <b>25P</b>                          |   |  |                                 |  |
| <b>891-007</b><br>Receptacle, Socket<br>Contacts, Double<br>Row, Vertical PCB<br>Nanominiature | Receptacles (891-007)               | <b>T</b><br>Titanium Shell,<br>Unplated                       | <b>BST</b><br>"Board Straight Thru-<br>Hole" | <b>1</b><br>.110 Inch (2.79 mm) | <b>J</b><br>Jackscrew, #0-80<br><br><b>T</b><br>#0-80<br>Female Thread |
|  | <b>9S</b>                           | <b>S</b><br>Stainless Steel Shell,<br>Passivated              |  |                                 |  |
|  | <b>15S</b>                          |   |  |                                 |  |
|  | <b>21S</b>                          |   |  |                                 |  |
|  | <b>25S</b>                          |   |  |                                 |  |
|  | <b>31S</b>                          |   |  |                                 |  |
|  | <b>37S</b>                          |   |  |                                 |  |
| <b>51S</b>   |                                     |   |  |                                 |  |
| <b>Sample Part Number</b>  |                                     |   |  |                                 |  |
| <b>891-007</b>   | <b>— 31S</b>                        | <b>T</b>  | <b>—BST</b>                                  | <b>1</b>                        | <b>T</b>   |

**MATERIALS AND FINISHES**

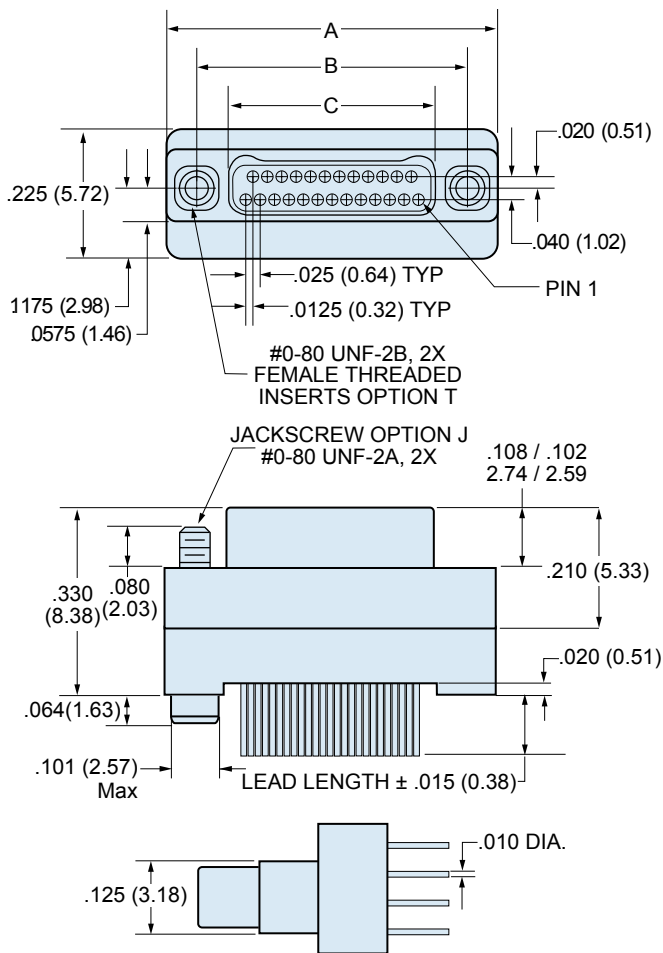
|                 |  |
|-----------------|--|
| Connector Shell | See Ordering Information                       |
| Insulator       | Liquid Crystal Polymer (LCP), 30% Glass-Filled |
| Contacts        | Gold Alloy, Unplated                           |
| Hardware        | 300 Series Stainless Steel                     |
| PC Tails        | #30 (.010 Dia.) Copper Wire, Solder Dipped     |
| PCB Trays       | Liquid Crystal Polymer (LCP) or Epoxy          |
| Encapsulant     | Epoxy  |

**SPECIFICATIONS**

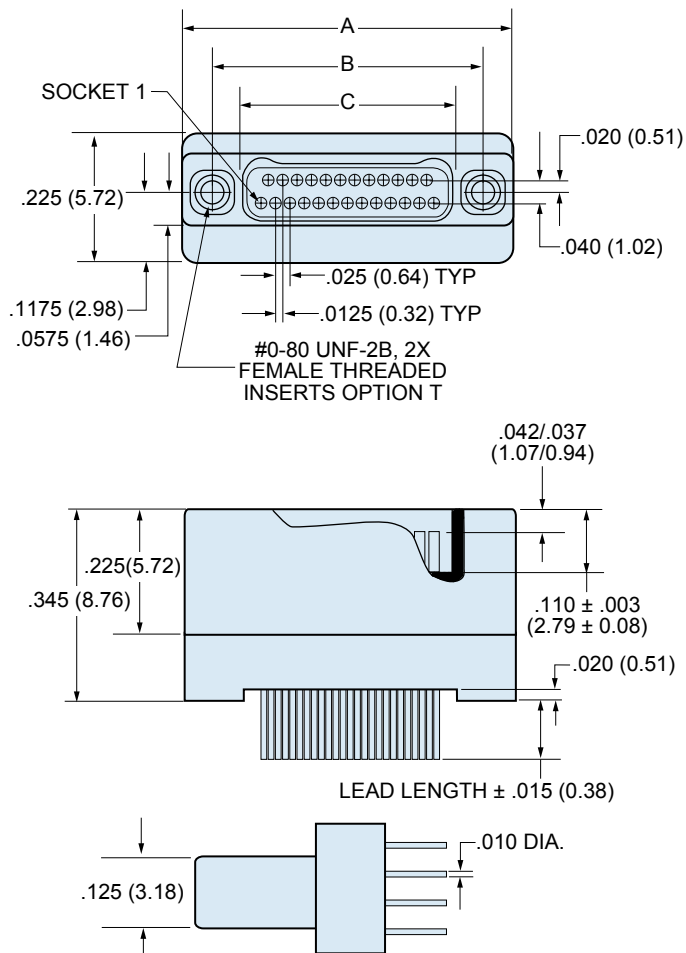
|                           |                            |
|---------------------------|----------------------------|
| Durability                | 200 Cycles Minimum         |
| Current Rating            | 1 AMP Maximum              |
| Voltage Rating (DWV)      | 300 VAC RMS Sea Level      |
| Insulation Resistance     | 5000 Megohms Minimum       |
| Operating Temperature     | -55° C. to +125° C.        |
| Contact Resistance        | 71 mV. @1 AMP #30 AWG Wire |
| Thermal Vacuum Outgassing | 1.0% Max TML, 0.1% Max.    |

**DOUBLE ROW VERTICAL PCB NANO DIMENSIONS**

**Plug (Pin) Connectors**



**Receptacle (Socket) Connectors**



| Layout | A          |           | B BSC. |       | C BSC. |       |
|--------|------------|-----------|--------|-------|--------|-------|
|        | In. ± .005 | mm. ±0.13 | In.    | mm.   | In.    | mm.   |
| 9P     | .375       | 9.52      | .270   | 6.86  | .160   | 4.06  |
| 9S     | .375       | 9.52      | .270   | 6.86  | .163   | 4.14  |
| 15P    | .450       | 11.43     | .345   | 8.76  | .235   | 5.97  |
| 15S    | .450       | 11.43     | .345   | 8.76  | .238   | 6.04  |
| 21P    | .525       | 13.33     | .420   | 10.67 | .310   | 7.87  |
| 21S    | .525       | 13.33     | .420   | 10.67 | .313   | 7.95  |
| 25P    | .575       | 14.60     | .470   | 11.94 | .360   | 9.14  |
| 25S    | .575       | 14.60     | .470   | 11.94 | .363   | 9.22  |
| 31P    | .650       | 16.51     | .545   | 13.84 | .435   | 11.05 |
| 31S    | .650       | 16.51     | .545   | 13.84 | .438   | 11.12 |
| 37P    | .725       | 18.41     | .620   | 15.75 | .510   | 12.95 |
| 37S    | .725       | 18.41     | .620   | 15.75 | .513   | 13.03 |
| 51P    | .900       | 22.86     | .795   | 20.19 | .685   | 17.40 |
| 51S    | .900       | 22.86     | .795   | 20.19 | .688   | 17.47 |

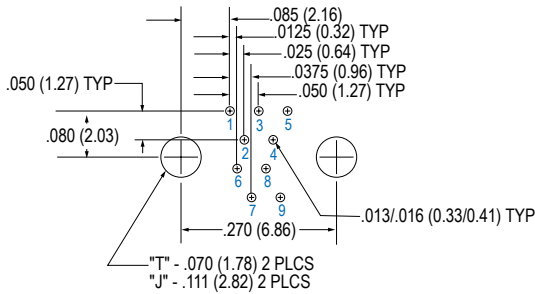
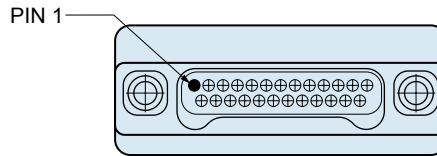
# 891-006 and -007 Series 89 Nanominiature Connectors Double Row Thru Hole Vertical Mount Printed Circuit Board



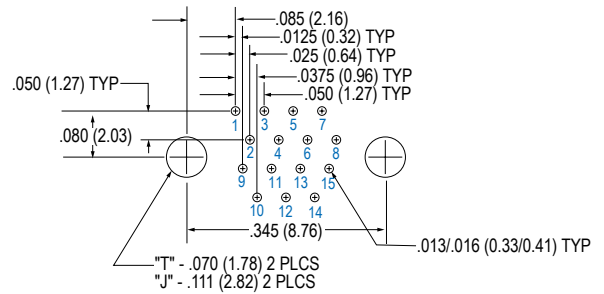
Double Row  
Connectors

Patterns shown are for connector mounting side of PC Board.

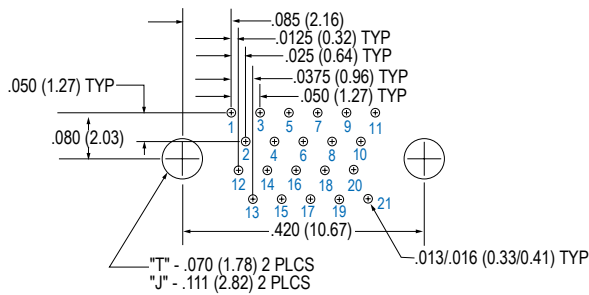
## VERTICAL PCB PLUG (PIN) CONNECTOR LAYOUT 891-006



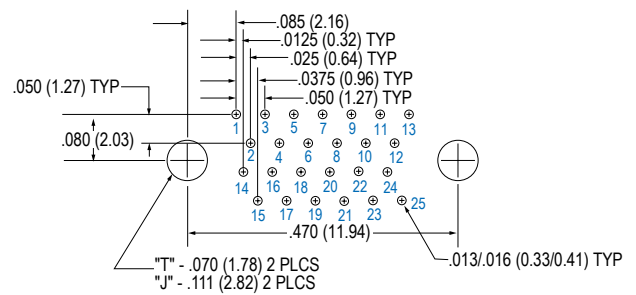
**9 Contacts**



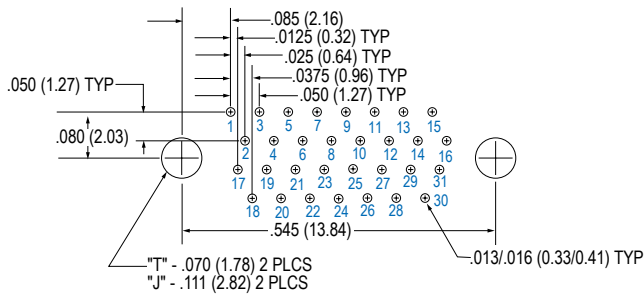
**15 Contacts**



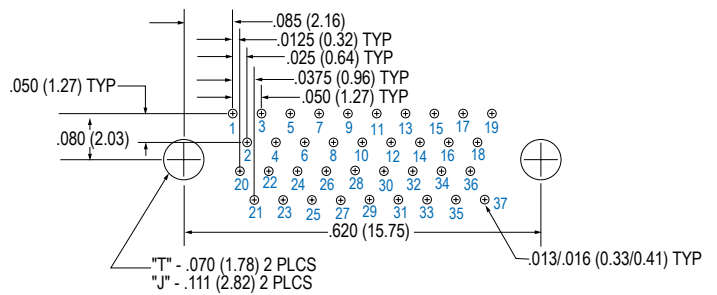
**21 Contacts**



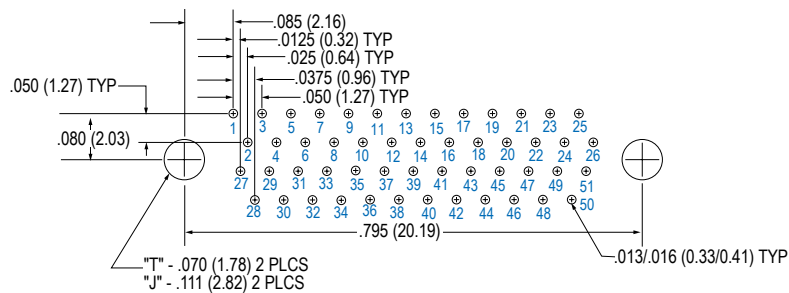
**25 Contacts**



**31 Contacts**



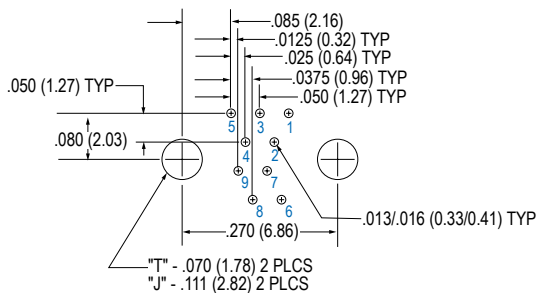
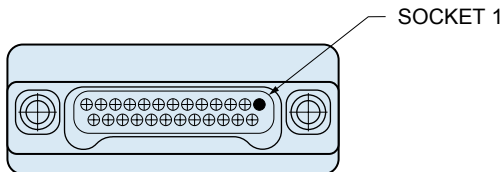
**37 Contacts**



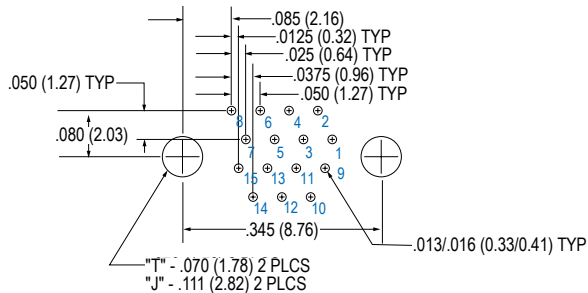
**51 Contacts**

Patterns shown are for connector mounting side of PC Board.

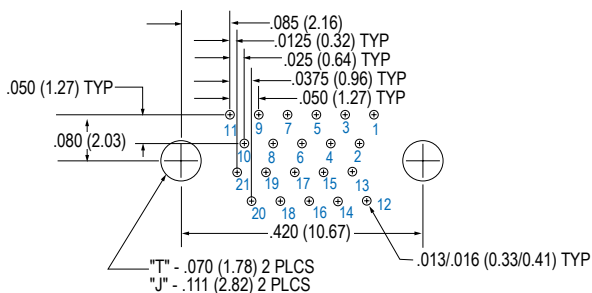
**VERTICAL PCB RECEPTACLE (SOCKET) CONNECTOR LAYOUT 891-007**



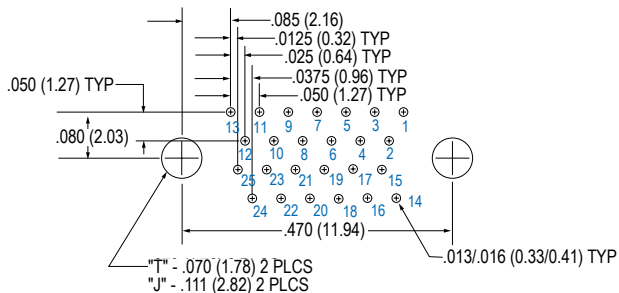
**9 Contacts**



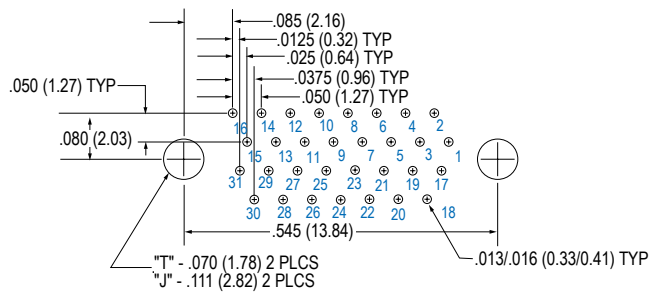
**15 Contacts**



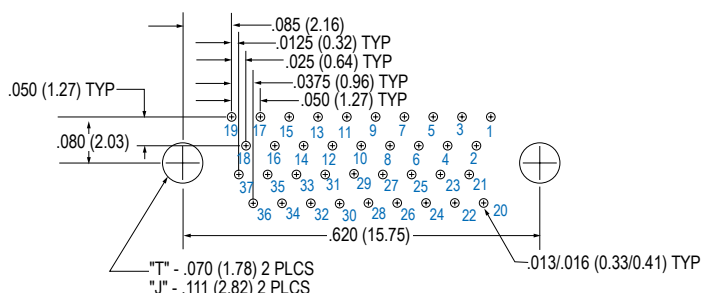
**21 Contacts**



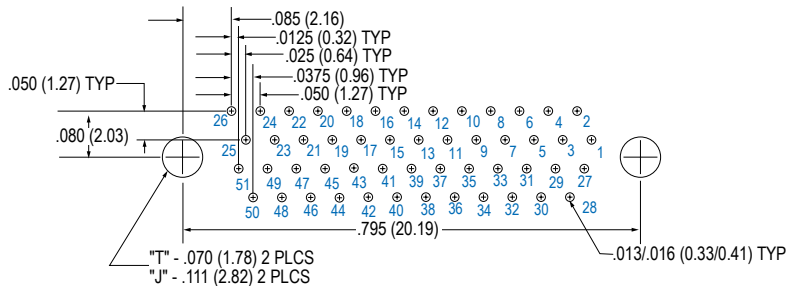
**25 Contacts**



**31 Contacts**



**37 Contacts**



**51 Contacts**