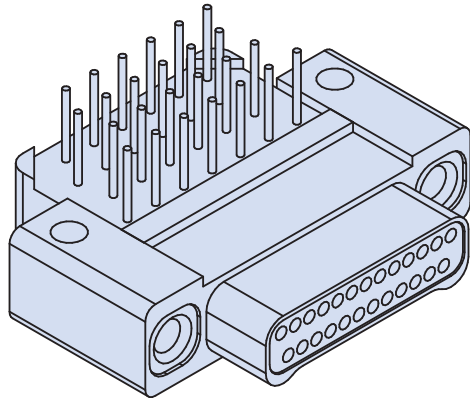


891-008 and -009
Series 89 Nanominiature Connectors
Double Row Thru Hole Right Angle Printed Circuit Board



Double Row Connectors



Right Angle Mount PCB Nano Connectors feature gold alloy TwistPin contacts. These nanominiature connectors offer premium performance and reliability for demanding applications. Available with #0-80 female threads, or with jackscrews for use with flexible circuits.

Pre-Tinned PC Tails are coated with Sn63Pb37 tin-lead for excellent solderability.

Choose Aluminum, Titanium or Stainless Steel Shells in seven layouts from 9 to 51 contacts. Complies to the requirements of MIL-DTL-32139. These connectors are intermateable with any corresponding Glenair Series 891 Double row metal shell nanominiature connector.

HOW TO ORDER RIGHT ANGLE MOUNT PCB CONNECTORS

| Series | Insert Arrangement/ Contact Type | Shell Material and Finish | Termination Type | PC Tail Length | Hardware |
|--|-------------------------------------|---|---|---------------------------------|---------------------------------|
| 891-008 Plug, Pin Contacts, Double Row, Right Angle PCB Nanominiature | Plugs (891-008) | A1 Aluminum Shell, Cadmium Plating | BRT "Board Right Angle Thru-Hole" | 1 .110 Inch (2.79 mm) | J Jackscrew, #0-80 |
| | 9P | A2 Aluminum Shell, Electroless Nickel Plating | | | |
| | 15P | | | | |
| | 21P | | | | |
| | 25P | | | | |
| 891-009 Receptacle, Socket Contacts, Double Row, Right Angle PCB Nanominiature | Receptacles (891-009) | T Titanium Shell, Unplated | BRT | 2 .172 Inch (4.37 mm) | T #0-80 Female Thread |
| | 31P | S Stainless Steel Shell, Passivated | | | |
| | 37P | | | | |
| | 51P | | | | |
| | 9S | | | | |
| | 15S | | | | |
| 21S | | | | | |
| 25S | | | | | |
| 31S | | | | | |
| 37S | | | | | |
| 51S | | | | | |
| Sample Part Number | | | | | |
| 891-009 | — 31S | T | —BRT | 1 | T |

MATERIALS AND FINISHES

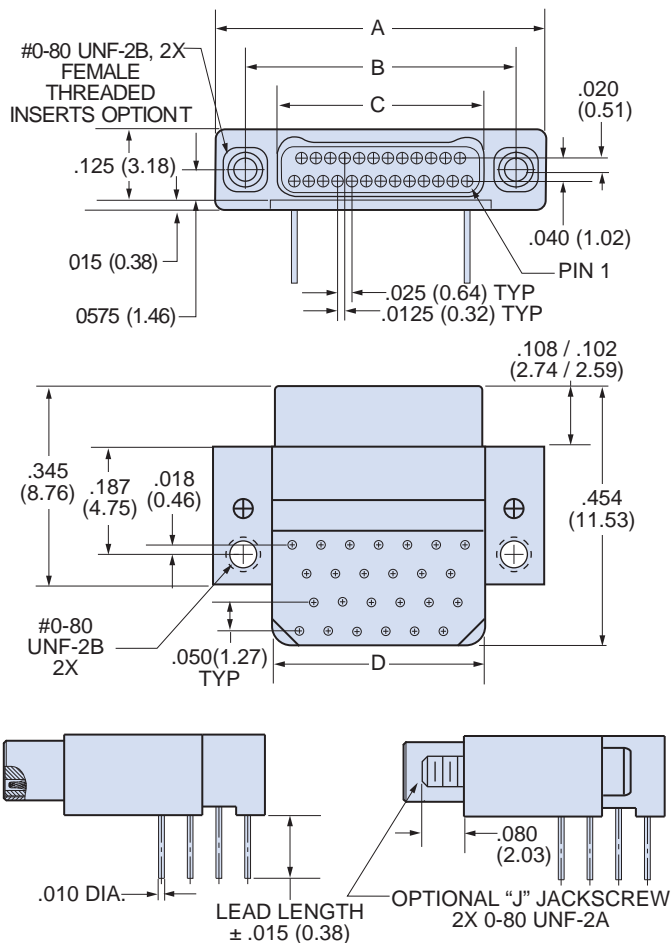
| | |
|-----------------|--|
| Connector Shell | See Ordering Information |
| Insulator | Liquid Crystal Polymer (LCP), 30% Glass-Filled |
| Contacts | Gold Alloy, Unplated |
| Hardware | 300 Series Stainless Steel |
| PC Tails | #30 (.010 Dia.) Copper Wire, Solder Dipped |
| PCB Trays | Liquid Crystal Polymer (LCP) or Epoxy |
| Encapsulant | Epoxy |

SPECIFICATIONS

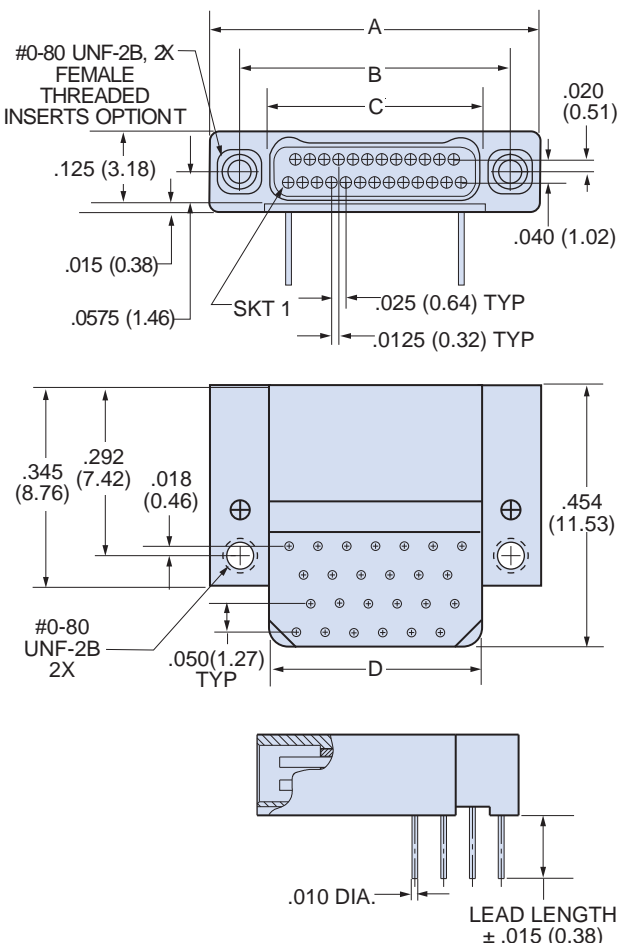
| | |
|---------------------------|----------------------------|
| Durability | 200 Cycles Minimum |
| Current Rating | 1 AMP Maximum |
| Voltage Rating (DWV) | 300 VAC RMS Sea Level |
| Insulation Resistance | 5000 Megohms Minimum |
| Operating Temperature | -55° C. to +125° C. |
| Contact Resistance | 71 mV. @1 AMP #30 AWG Wire |
| Thermal Vacuum Outgassing | 1.0% Max TML, 0.1% Max. |

DOUBLE ROW RIGHT ANGLE PCB NANO DIMENSIONS

Plug (Pin) Connectors



Receptacle (Socket) Connectors



| Layout | A | | B BSC. | | C BSC. | | D | |
|--------|------------|------------|--------|-------|--------|-------|------------|------------|
| | In. ± .005 | mm. ± 0.13 | In. | mm. | In. | mm. | In. ± .005 | mm. ± 0.13 |
| 9P | .375 | 9.52 | .270 | 6.86 | .160 | 4.06 | .170 | 4.32 |
| 9S | .375 | 9.52 | .270 | 6.86 | .163 | 4.14 | .170 | 4.32 |
| 15P | .450 | 11.43 | .345 | 8.76 | .235 | 5.97 | .245 | 6.22 |
| 15S | .450 | 11.43 | .345 | 8.76 | .238 | 6.04 | .245 | 6.22 |
| 21P | .525 | 13.33 | .420 | 10.67 | .310 | 7.87 | .320 | 8.13 |
| 21S | .525 | 13.33 | .420 | 10.67 | .313 | 7.95 | .320 | 8.13 |
| 25P | .575 | 14.60 | .470 | 11.94 | .360 | 9.14 | .370 | 9.40 |
| 25S | .575 | 14.60 | .470 | 11.94 | .363 | 9.22 | .370 | 9.40 |
| 31P | .650 | 16.51 | .545 | 13.84 | .435 | 11.05 | .445 | 11.30 |
| 31S | .650 | 16.51 | .545 | 13.84 | .438 | 11.12 | .445 | 11.30 |
| 37P | .725 | 18.41 | .620 | 15.75 | .510 | 12.95 | .520 | 13.21 |
| 37S | .725 | 18.41 | .620 | 15.75 | .513 | 13.03 | .520 | 13.21 |
| 51P | .900 | 22.86 | .795 | 20.19 | .685 | 17.40 | .695 | 17.65 |
| 51S | .900 | 22.86 | .795 | 20.19 | .688 | 17.47 | .695 | 17.65 |

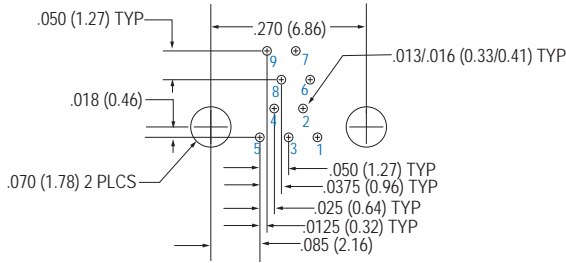
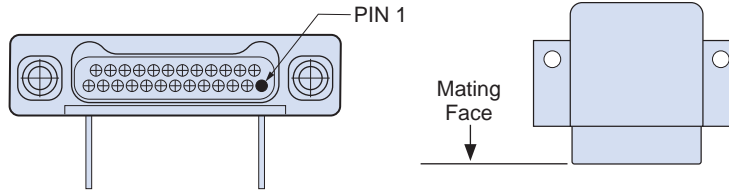
891-008 and -009 Series 89 Nanominiature Connectors Double Row Thru Hole Right Angle Printed Circuit Board



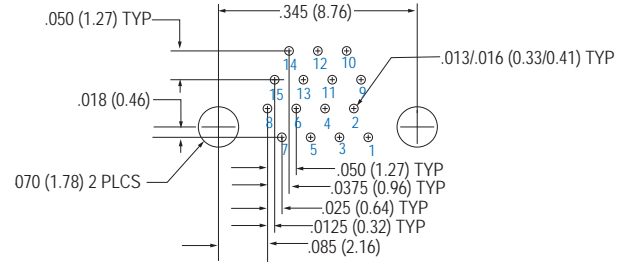
Double Row
Connectors

Patterns shown are for connector mounting side of PC Board.

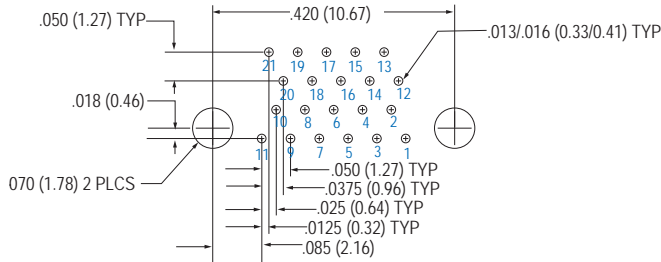
RIGHT ANGLE PCB PLUG (PIN) CONNECTOR LAYOUT 891-008



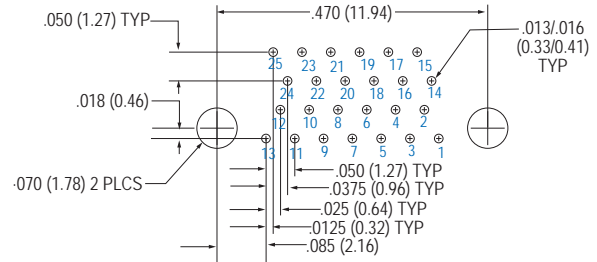
9 Contacts



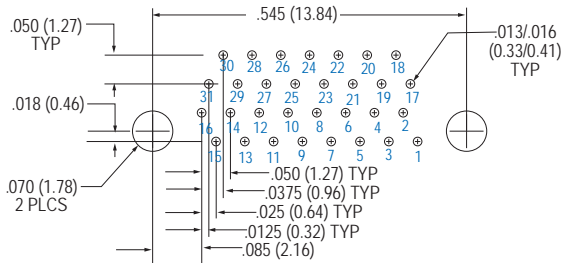
15 Contacts



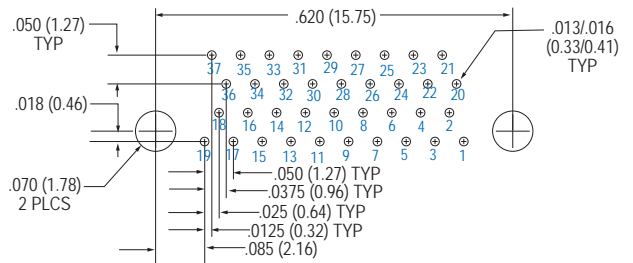
21 Contacts



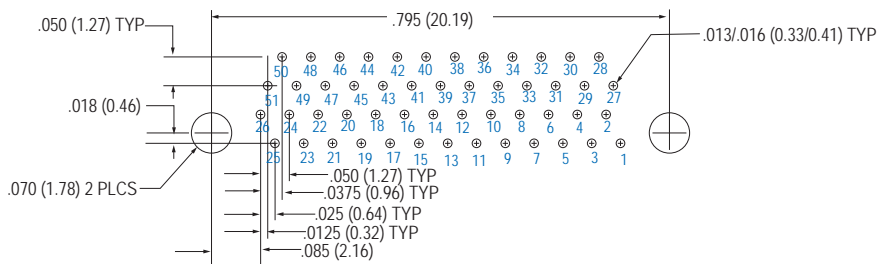
25 Contacts



31 Contacts



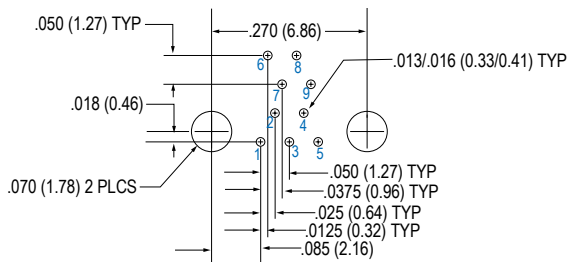
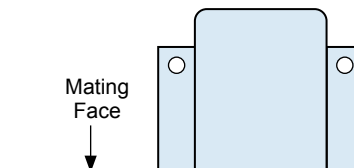
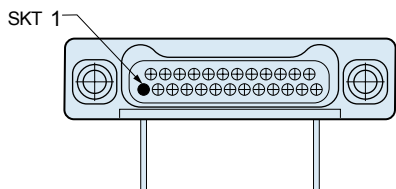
37 Contacts



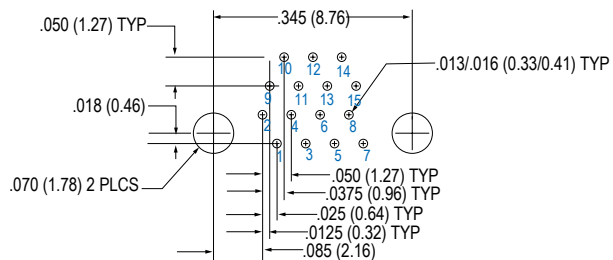
51 Contacts

Patterns shown are for connector mounting side of PC Board.

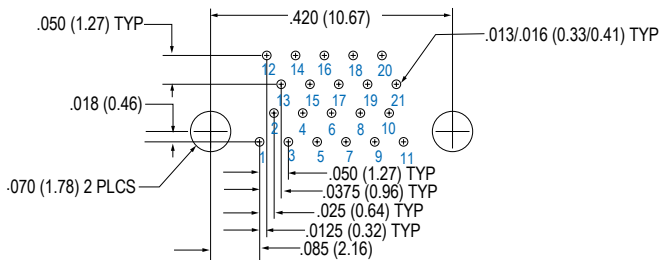
RIGHT ANGLE PCB RECEPTACLE (SOCKET) CONNECTOR LAYOUT 891-009



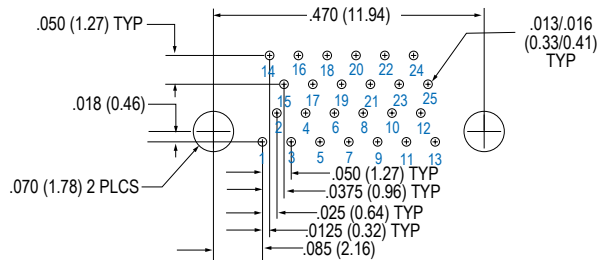
9 Contacts



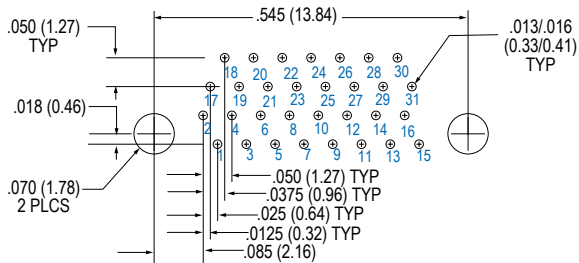
15 Contacts



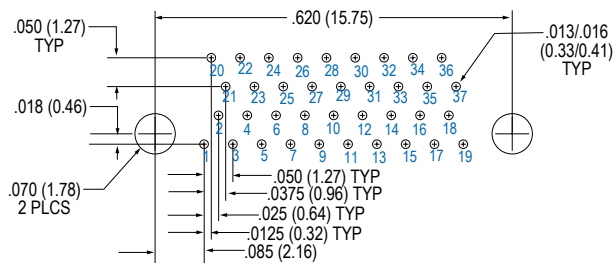
21 Contacts



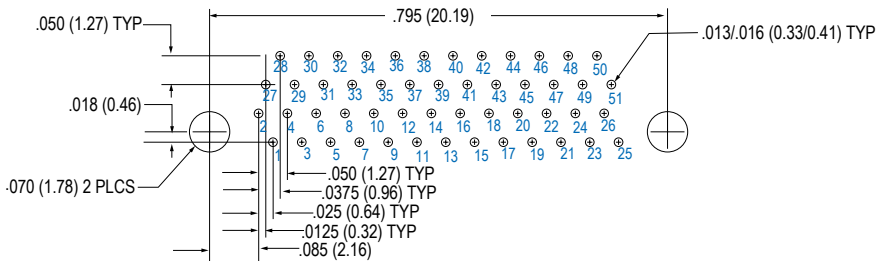
25 Contacts



31 Contacts



37 Contacts



51 Contacts