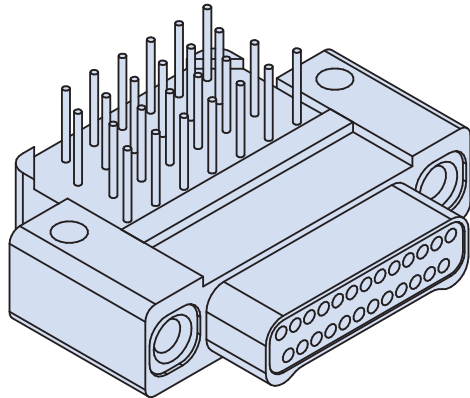


**891-008 and -009**  
**Series 89 Nanominiature Connectors**  
**Double Row Thru Hole Right Angle Printed Circuit Board**



Double Row Connectors



**Right Angle Mount PCB Nano Connectors** feature gold alloy TwistPin contacts. These nanominiature connectors offer premium performance and reliability for demanding applications. Available with #0-80 female threads, or with jackscrews for use with flexible circuits.

**Pre-Tinned PC Tails** are coated with Sn63Pb37 tin-lead for excellent solderability.

**Choose Aluminum, Titanium or Stainless Steel Shells** in seven layouts from 9 to 51 contacts. Complies to the requirements of MIL-DTL-32139. These connectors are intermateable with any corresponding Glenair Series 891 Double row metal shell nanominiature connector.

**HOW TO ORDER RIGHT ANGLE MOUNT PCB CONNECTORS**

| Series   | Insert Arrangement/<br>Contact Type  | Shell Material and Finish                               | Termination Type                            | PC Tail Length                  | Hardware                        |
|--|--|---|---|---------------------------------|---------------------------------|
| <b>891-008</b><br>Plug, Pin Contacts, Double Row, Right Angle PCB Nanominiature          | Plugs (891-008)<br><b>9P</b><br><b>15P</b><br><b>21P</b><br><b>25P</b><br><b>31P</b><br><b>37P</b><br><b>51P</b>       | <b>A1</b><br>Aluminum Shell, Cadmium Plating            | <b>BRT</b><br>"Board Right Angle Thru-Hole" | <b>1</b><br>.110 Inch (2.79 mm) | <b>J</b><br>Jackscrew, #0-80    |
|  |  | <b>A2</b><br>Aluminum Shell, Electroless Nickel Plating |   | <b>2</b><br>.172 Inch (4.37 mm) | <b>T</b><br>#0-80 Female Thread |
|  |  | <b>T</b><br>Titanium Shell, Unplated                    |   |                                 |                                 |
|  |  | <b>S</b><br>Stainless Steel Shell, Passivated           |   |                                 |                                 |
|  |  |   |   |                                 |                                 |
|  |  |   |   |                                 |                                 |
| <b>891-009</b><br>Receptacle, Socket Contacts, Double Row, Right Angle PCB Nanominiature | Receptacles (891-009)<br><b>9S</b><br><b>15S</b><br><b>21S</b><br><b>25S</b><br><b>31S</b><br><b>37S</b><br><b>51S</b> |   |   |                                 |                                 |
|  |  |   |   |                                 |                                 |
|  |  |   |   |                                 |                                 |
|  |  |   |   |                                 |                                 |
|  |  |   |   |                                 |                                 |
|  |  |   |   |                                 |                                 |
|  |  |   |   |                                 |                                 |
| <b>Sample Part Number</b>  |  |   |   |                                 |                                 |
| <b>891-009</b>   | <b>— 31S</b>   | <b>T</b>  | <b>—BRT</b>                                 | <b>1</b>                        | <b>T</b>                        |

**MATERIALS AND FINISHES**

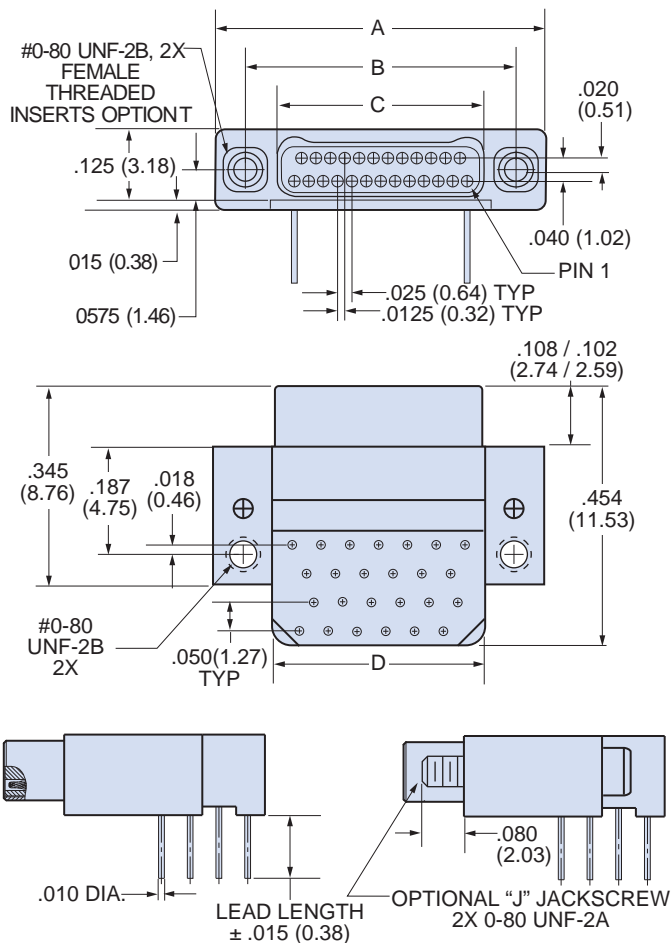
|                 |  |
|-----------------|--|
| Connector Shell | See Ordering Information                       |
| Insulator       | Liquid Crystal Polymer (LCP), 30% Glass-Filled |
| Contacts        | Gold Alloy, Unplated                           |
| Hardware        | 300 Series Stainless Steel                     |
| PC Tails        | #30 (.010 Dia.) Copper Wire, Solder Dipped     |
| PCB Trays       | Liquid Crystal Polymer (LCP) or Epoxy          |
| Encapsulant     | Epoxy  |

**SPECIFICATIONS**

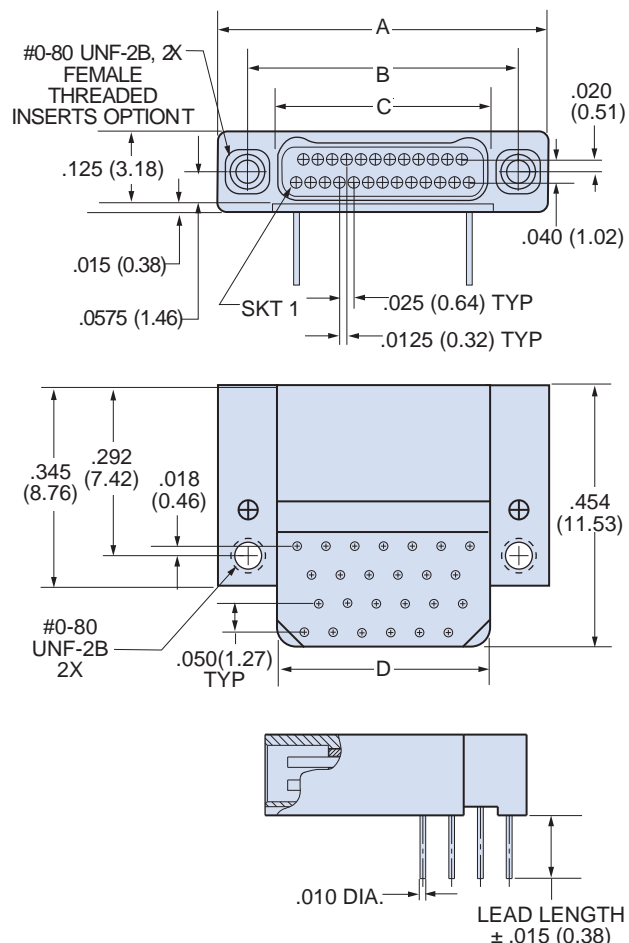
|                           |                            |
|---------------------------|----------------------------|
| Durability                | 200 Cycles Minimum         |
| Current Rating            | 1 AMP Maximum              |
| Voltage Rating (DWV)      | 300 VAC RMS Sea Level      |
| Insulation Resistance     | 5000 Megohms Minimum       |
| Operating Temperature     | -55° C. to +125° C.        |
| Contact Resistance        | 71 mV. @1 AMP #30 AWG Wire |
| Thermal Vacuum Outgassing | 1.0% Max TML, 0.1% Max.    |

DOUBLE ROW RIGHT ANGLE PCB NANO DIMENSIONS

Plug (Pin) Connectors



Receptacle (Socket) Connectors



| Layout | A          |            | B BSC. |       | C BSC. |       | D          |            |
|--------|------------|------------|--------|-------|--------|-------|------------|------------|
|        | In. ± .005 | mm. ± 0.13 | In.    | mm.   | In.    | mm.   | In. ± .005 | mm. ± 0.13 |
| 9P     | .375       | 9.52       | .270   | 6.86  | .160   | 4.06  | .170       | 4.32       |
| 9S     | .375       | 9.52       | .270   | 6.86  | .163   | 4.14  | .170       | 4.32       |
| 15P    | .450       | 11.43      | .345   | 8.76  | .235   | 5.97  | .245       | 6.22       |
| 15S    | .450       | 11.43      | .345   | 8.76  | .238   | 6.04  | .245       | 6.22       |
| 21P    | .525       | 13.33      | .420   | 10.67 | .310   | 7.87  | .320       | 8.13       |
| 21S    | .525       | 13.33      | .420   | 10.67 | .313   | 7.95  | .320       | 8.13       |
| 25P    | .575       | 14.60      | .470   | 11.94 | .360   | 9.14  | .370       | 9.40       |
| 25S    | .575       | 14.60      | .470   | 11.94 | .363   | 9.22  | .370       | 9.40       |
| 31P    | .650       | 16.51      | .545   | 13.84 | .435   | 11.05 | .445       | 11.30      |
| 31S    | .650       | 16.51      | .545   | 13.84 | .438   | 11.12 | .445       | 11.30      |
| 37P    | .725       | 18.41      | .620   | 15.75 | .510   | 12.95 | .520       | 13.21      |
| 37S    | .725       | 18.41      | .620   | 15.75 | .513   | 13.03 | .520       | 13.21      |
| 51P    | .900       | 22.86      | .795   | 20.19 | .685   | 17.40 | .695       | 17.65      |
| 51S    | .900       | 22.86      | .795   | 20.19 | .688   | 17.47 | .695       | 17.65      |

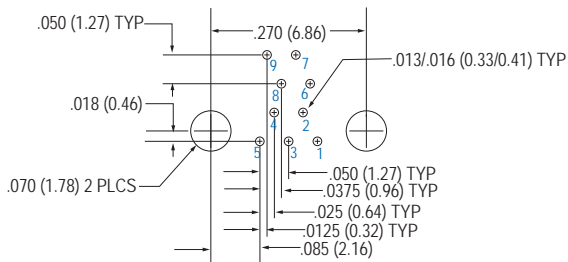
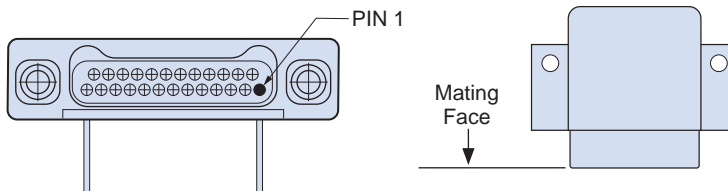
# 891-008 and -009 Series 89 Nanominiature Connectors Double Row Thru Hole Right Angle Printed Circuit Board



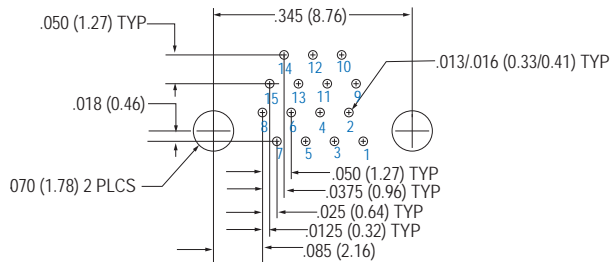
Double Row  
Connectors

Patterns shown are for connector mounting side of PC Board.

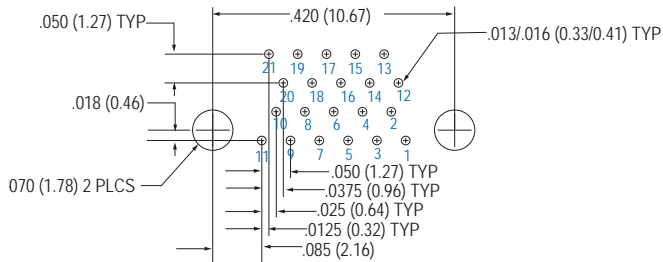
## RIGHT ANGLE PCB PLUG (PIN) CONNECTOR LAYOUT 891-008



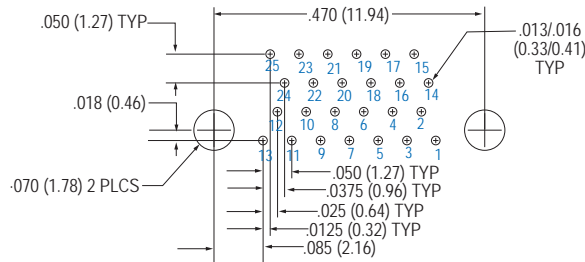
**9 Contacts**



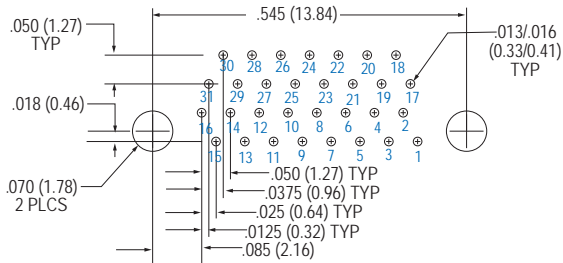
**15 Contacts**



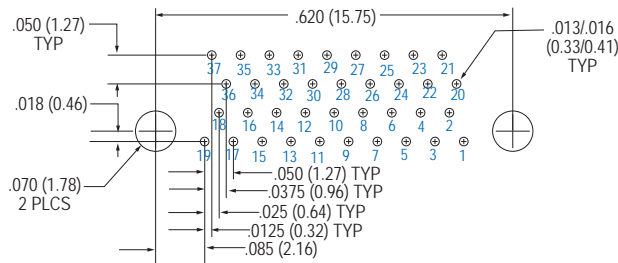
**21 Contacts**



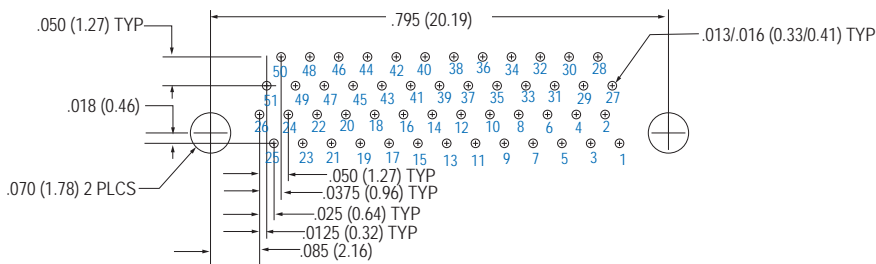
**25 Contacts**



**31 Contacts**



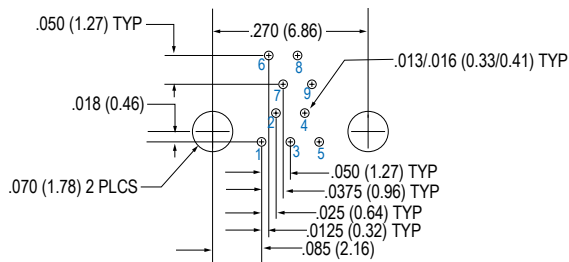
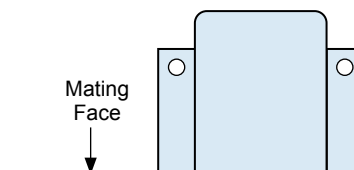
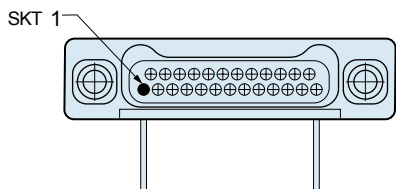
**37 Contacts**



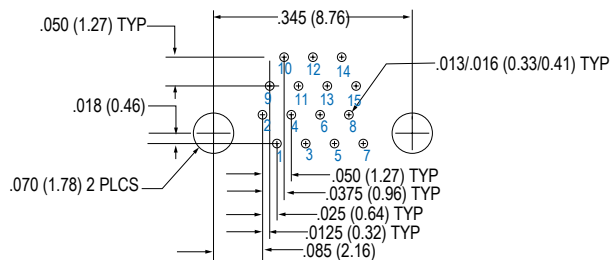
**51 Contacts**

Patterns shown are for connector mounting side of PC Board.

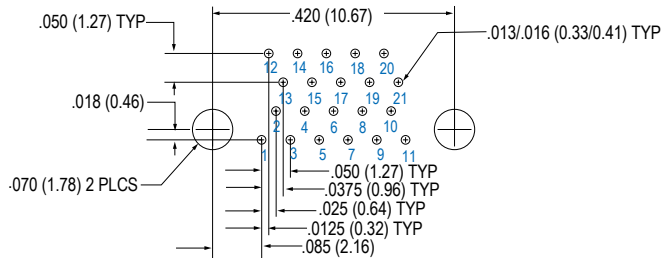
### RIGHT ANGLE PCB RECEPTACLE (SOCKET) CONNECTOR LAYOUT 891-009



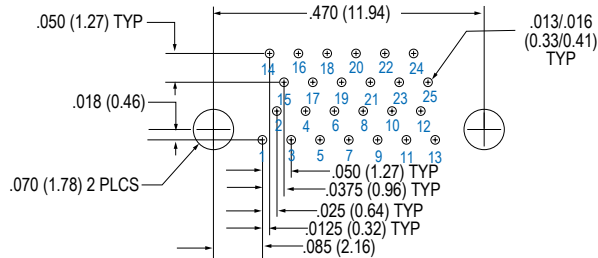
**9 Contacts**



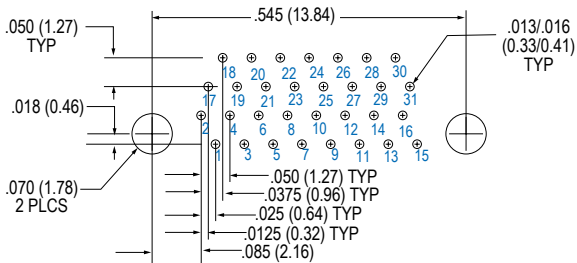
**15 Contacts**



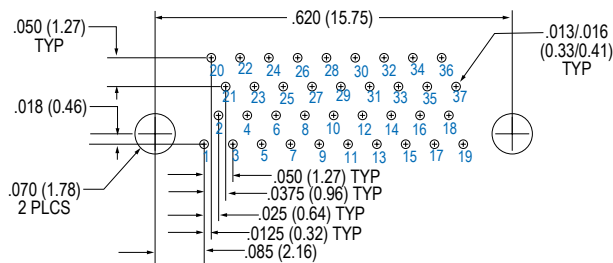
**21 Contacts**



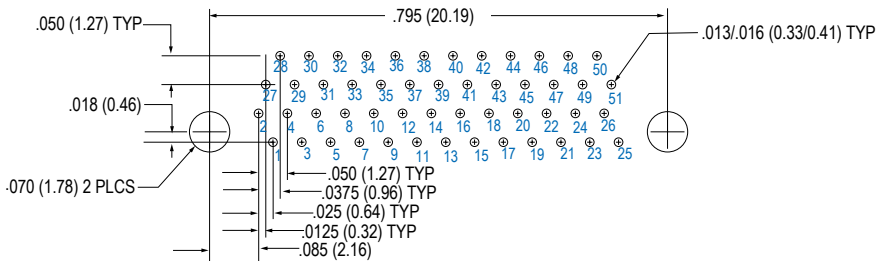
**25 Contacts**



**31 Contacts**



**37 Contacts**



**51 Contacts**