

PLEASE CHECK WWW.MOLEX.COM FOR LATEST PART INFORMATION

Part Number: [0015477764](#)
Status: **Active**
Description: 2.54mm (.100") Pitch C-Grid® Header, Through Hole, Dual Row, Vertical, High Temperature, Shrouded, with Peg, 64 Circuits, 0.76µm (30µ") Gold (Au) Selective Plating, Tin (Sn) PC Tail Plating

Documents:

[3D Model](#) [Product Specification PS-70567 \(PDF\)](#)
[Drawing \(PDF\)](#) [RoHS Certificate of Compliance \(PDF\)](#)

Agency Certification

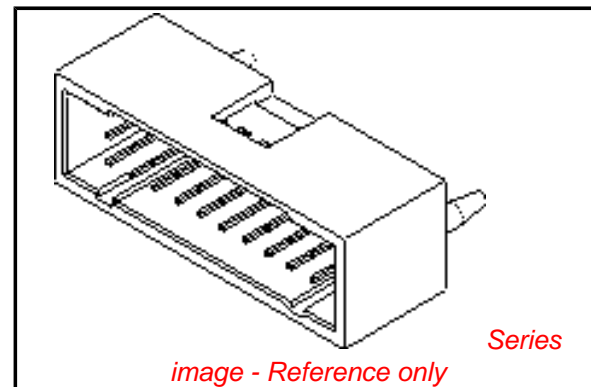
CSA LR19980
 UL E29179

General

Product Family PCB Headers
 Series [70568](#)
 Application Wire-to-Board
 Product Name C-Grid®

Physical

Breakaway No
 Circuits (Loaded) 64
 Color - Resin Black
 First Mate / Last Break No
 Flammability 94V-0
 Glow-Wire Compliant No
 Guide to Mating Part No
 Keying to Mating Part None
 Lock to Mating Part Yes
 Material - Metal Brass, Phosphor Bronze
 Material - Plating Mating Gold
 Material - Resin High Temperature Thermoplastic
 Number of Rows 2
 Orientation Vertical
 PC Tail Length (in) 0.130 In
 PC Tail Length (mm) 3.30 mm
 PCB Locator No
 PCB Retention Yes
 PCB Thickness Recommended (in) 0.093 In
 PCB Thickness Recommended (mm) 2.40 mm
 Packaging Type Tube
 Pitch - Mating Interface (in) 0.100 In
 Pitch - Mating Interface (mm) 2.54 mm
 Pitch - Term. Interface (in) 0.100 In
 Pitch - Term. Interface (mm) 2.54 mm
 Plating min: Mating (µin) 30
 Plating min: Mating (µm) 0.76
 Polarized to Mating Part Yes
 Polarized to PCB Yes
 Shrouded Fully
 Stackable No
 Surface Mount Compatible (SMC) No
 Temperature Range - Operating -55°C to +105°C
 Termination Interface: Style Through Hole



EU RoHS

ELV and RoHS Compliant
REACH SVHC Contains SVHC: No
Halogen-Free Status

Not Reviewed

Need more information on product environmental compliance?

Email productcompliance@molex.com
 For a multiple part number RoHS Certificate of Compliance, [click here](#)

Please visit the [Contact Us](#) section for any non-product compliance questions.

China RoHS



Search Parts in this Series

[70568Series](#)

Electrical

Current - Maximum per Contact 2.5A
Voltage - Maximum 250V

Solder Process Data

Duration at Max. Process Temperature (seconds) 5
Lead-free Process Capability SMC & Wave Capable (TH only)
Max. Cycles at Max. Process Temperature 1
Process Temperature max. C 245

Material Info

Old Part Number A-70568-0098

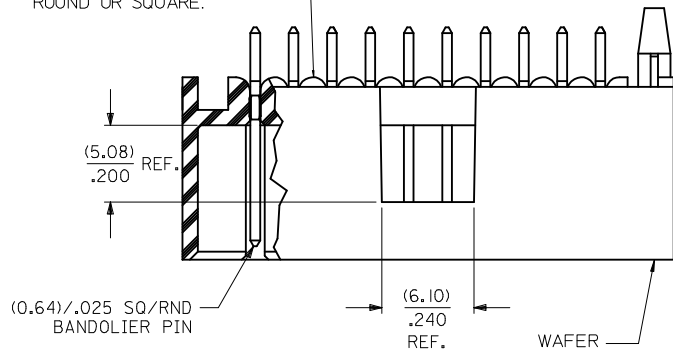
Reference - Drawing Numbers

Product Specification PS-70567
Sales Drawing SDA-70568-****

This document was generated on 03/31/2010

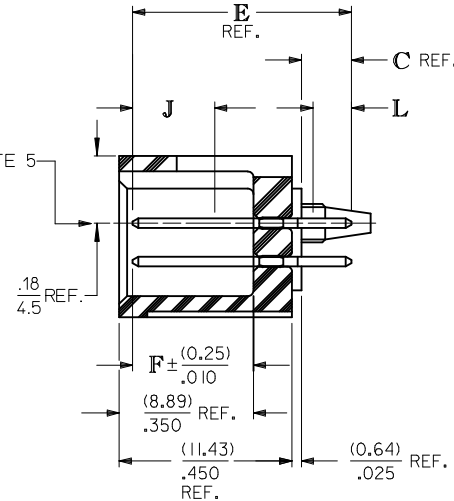
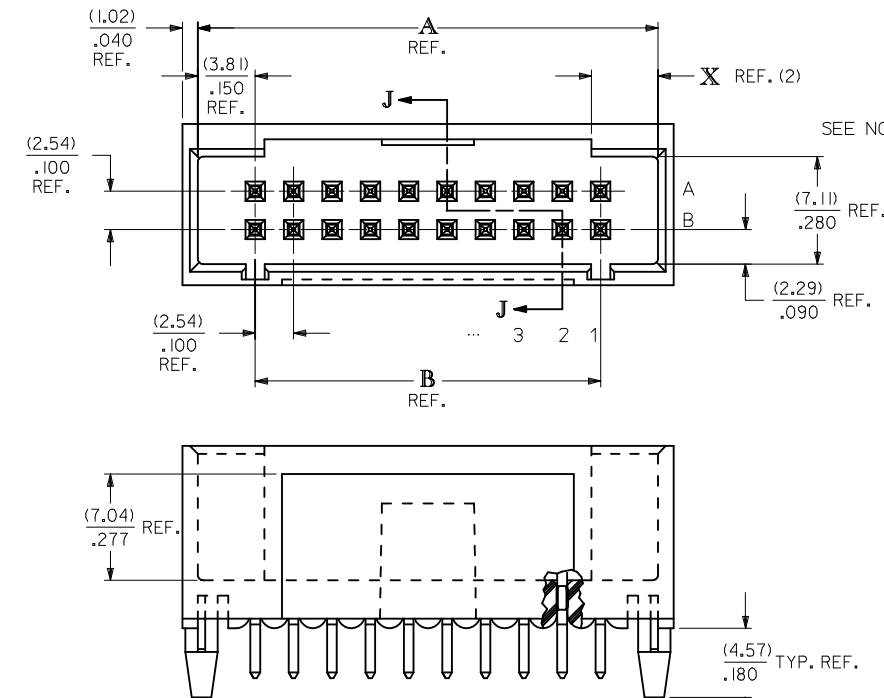
PLEASE CHECK WWW.MOLEX.COM FOR LATEST PART INFORMATION

STAND OFFS CAN BE EITHER ROUND OR SQUARE.

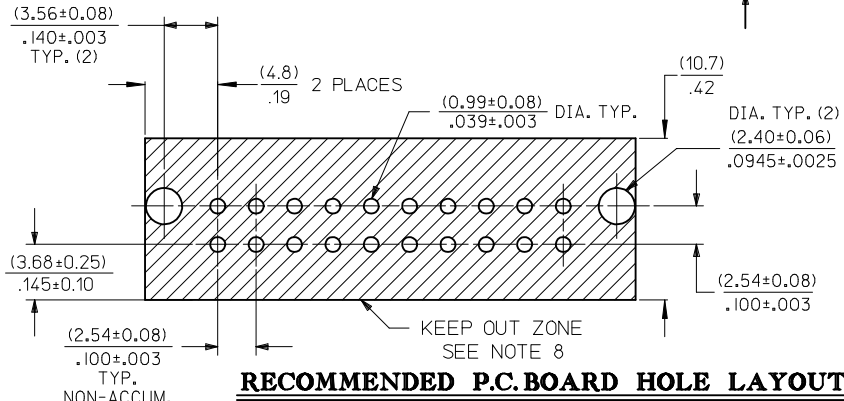


NOTES:

1. MATERIAL: WAFER - GLASS FILLED LIQUID CRYSTAL POLYMER, UL 94V-0, COLOR: BLACK, PIN: COPPER ALLOY.
2. PLATING: TIN
 TIN(Sn) ALLOY OVER ENTIRE PIN: THICKNESS = (3.81 MICROMETER)/ 150 MICROINCH MINIMUM;
 NICKEL (Ni) UNDERPLATE OVER ENTIRE PIN.
 15 GOLD SELECTIVE GOLD (Au) IN THE CONTACT AREA: THICKNESS = (0.38 MICROMETER)/ 15 MICROINCH MINIMUM;
 SELECTIVE TIN (Sn) ALLOY IN THE PC TAIL AREA: THICKNESS = (1.91 MICROMETER)/ 75 MICROINCH MINIMUM;
 NICKEL (Ni) UNDERPLATE OVER ENTIRE PIN.
 30 GOLD SELECTIVE GOLD (Au) IN THE CONTACT AREA: THICKNESS = (0.76 MICROMETER)/ 30 MICROINCH MINIMUM;
 SELECTIVE TIN (Sn) ALLOY IN THE PC TAIL AREA: THICKNESS = (1.91 MICROMETER)/ 75 MICROINCH MINIMUM;
 NICKEL (Ni) UNDERPLATE OVER ENTIRE PIN.
 * THE PRIMARY SHIPPING CARTON WILL BE LABELED "COMPLIANT TO RoHS DIRECTIVE 2002/95/EC AND ELV ANNEX II OF DIRECTIVE 2000/53/EC". CARTONS WITHOUT THIS LABEL MAY CONTAIN PRODUCT WITH LEAD.
3. PRODUCT SPECIFICATION: PS-70567.
4. PACKAGING: SEE CHARTS
5. PIN PUSHOUT FORCE: 4 LBS. MIN. IN DIRECTION INDICATED.
6. FOR ILLUSTRATION PURPOSES, 20 (DUAL 10) CIRCUIT SIZE IS SHOWN.
7. PINS MUST MEET SOLDERABILITY SPEC. SMS-152.
 EXCEPT VOIDS ARE PERMISSIBLE AT BANDOLIER PIN FAYING SURFACE. (APPROX. (0.64)/.025 LNG X (0.15)/.006 WD. REF.) - 2 LOCATIONS
8. NO FEATURES WHICH RISE ABOVE THE PCB SURFACE ALLOWED IN THIS AREA.
9. THIS PART CONFORMS TO CLASS B REQUIREMENTS OF COSMETIC SPEC PS-45499-002.



SECTION J-J



RECOMMENDED P.C. BOARD HOLE LAYOUT

| CKT. SIZE | DIM. A REF. | | DIM. B REF. | | DIM. X REF. | |
|-----------|-------------|-------|-------------|-------|-------------|------|
| | (MM) | INCH | (MM) | INCH | (MM) | INCH |
| 6 | (12.70) | .500 | (5.08) | .200 | (3.18) | .125 |
| 8 | (15.24) | .600 | (7.62) | .300 | (4.42) | .174 |
| 10 | (17.78) | .700 | (10.16) | .400 | (4.42) | .174 |
| 12 | (20.32) | .800 | (12.70) | .500 | (4.42) | .174 |
| 14 | (22.86) | .900 | (15.24) | .600 | (4.42) | .174 |
| 16 | (25.40) | 1.000 | (17.78) | .700 | (4.42) | .174 |
| 18 | (27.94) | 1.100 | (20.32) | .800 | (4.42) | .174 |
| 20 | (30.48) | 1.200 | (22.86) | .900 | (4.42) | .174 |
| 22 | (33.02) | 1.300 | (25.40) | 1.000 | (4.42) | .174 |
| 24 | (35.56) | 1.400 | (27.94) | 1.100 | (4.42) | .174 |
| 26 | (38.10) | 1.500 | (30.48) | 1.200 | (4.42) | .174 |
| 28 | (40.64) | 1.600 | (33.02) | 1.300 | (4.42) | .174 |
| 30 | (43.18) | 1.700 | (35.56) | 1.400 | (4.42) | .174 |
| 32 | (45.72) | 1.800 | (38.10) | 1.500 | (4.42) | .174 |
| 34 | (48.26) | 1.900 | (40.64) | 1.600 | (4.42) | .174 |
| 36 | (50.80) | 2.000 | (43.18) | 1.700 | (4.42) | .174 |
| 38 | (53.34) | 2.100 | (45.72) | 1.800 | (4.42) | .174 |
| 40 | (55.88) | 2.200 | (48.26) | 1.900 | (4.42) | .174 |
| 42 | (58.42) | 2.300 | (50.80) | 2.000 | (4.42) | .174 |
| 44 | (60.96) | 2.400 | (53.34) | 2.100 | (4.42) | .174 |
| 46 | (63.50) | 2.500 | (55.88) | 2.200 | (4.42) | .174 |
| 48 | (66.04) | 2.600 | (58.42) | 2.300 | (4.42) | .174 |
| 50 | (68.58) | 2.700 | (60.96) | 2.400 | (4.42) | .174 |
| 52 | (71.12) | 2.800 | (63.50) | 2.500 | (4.42) | .174 |
| 54 | (73.66) | 2.900 | (66.04) | 2.600 | (4.42) | .174 |
| 56 | (76.20) | 3.000 | (68.58) | 2.700 | (4.42) | .174 |
| 58 | (78.74) | 3.100 | (71.12) | 2.800 | (4.42) | .174 |
| 60 | (81.28) | 3.200 | (73.66) | 2.900 | (4.42) | .174 |
| 62 | (83.82) | 3.300 | (76.20) | 3.000 | (4.42) | .174 |
| 64 | (86.36) | 3.400 | (78.74) | 3.100 | (4.42) | .174 |
| 66 | (88.90) | 3.500 | (81.28) | 3.200 | (4.42) | .174 |
| 68 | (91.44) | 3.600 | (83.82) | 3.300 | (4.42) | .174 |
| 70 | (93.98) | 3.700 | (86.36) | 3.400 | (4.42) | .174 |
| 72 | (96.52) | 3.800 | (88.90) | 3.500 | (4.42) | .174 |

| | |
|-----|-----|
| 2 | G |
| 1 | H |
| SHT | REV |

| | | | | | |
|--|-------------------------------|--|--|--|---|
| MODIFIED NOTES EC NO: UCP2009-0336 DRAWN: KLOSTERMAYER 2008/09/23 CHKD: JEBELL 2008/09/24 APPR: FSMITH 2008/09/25 | QUALITY SYMBOLS ▽=0 ▽=0 | GENERAL TOLERANCES (UNLESS SPECIFIED) mm INCH 4 PLACES ± --- ± --- 3 PLACES ± --- ± .005 2 PLACES ± 0.13 ± .01 1 PLACE ± 0.25 ± --- ANGULAR ± 1/2° | DIMENSION STYLE MM/IN DRAWN BY DATE SMR 1993/11/10 CHECKED BY DATE SMR 1993/11/10 APPROVED BY DATE | SCALE 4:1 DESIGN UNITS INCH THIRD ANGLE PROJECTION | |
| | | DRAFT WHERE APPLICABLE MUST REMAIN WITHIN DIMENSIONS | MATERIAL NO. SEE TABLE SIZE C | DOCUMENT NO. SDA-70568-**** SHEET NO. 1 OF 2 | MOLEX INCORPORATED |
| | | THIS DRAWING CONTAINS INFORMATION THAT IS PROPRIETARY TO MOLEX INCORPORATED AND SHOULD NOT BE USED WITHOUT WRITTEN PERMISSION | | | SALES ASSY - DUAL ROW SHROUDED WAFER/HI TEMP .25SQ/RND PINS .100 GRID |
| | | MOLEX INCORPORATED | | | |

