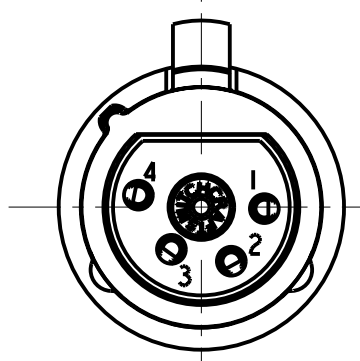
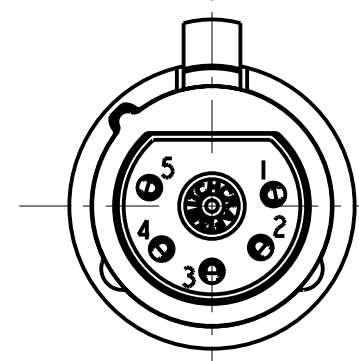


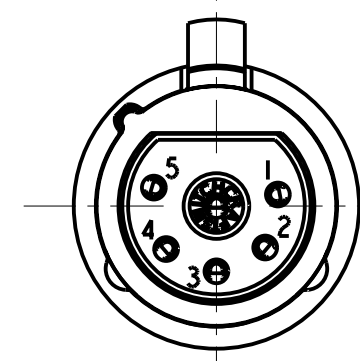
3 PIN



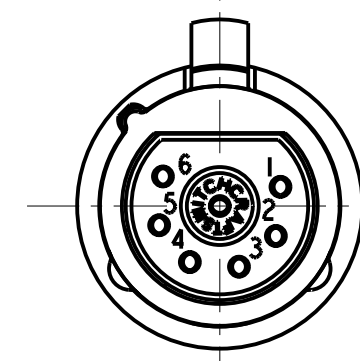
4 PIN



5 PIN



6 PIN



7 PIN

STANDARD SERIES

- INSERT SCREW - STAINLESS STEEL
- FLEX SCREW - STEEL, NICKEL PLATED
- HOUSING - ZINC, NICKEL PLATED
- SHELL - STAINLESS STEEL
- LATCH BUTTON - ZINC, NICKEL PLATED
- LATCH SPRING - STAINLESS STEEL
- CONTACTOR - BERYLLIUM COPPER, NICKEL PLATE
- TUBULAR INSULATOR - MYLAR
- SOLDER TERMINAL - BRASS, ELECTRO TIN
- FLEX RELIEF - HI-FAX
- CLAMP PLATE - STAINLESS STEEL
- INSULATORS - POLYESTER, GREEN
- CONTACTS - BRASS, SILVER PLATED

- A COLOR OF FLEX RELIEF
 - 01 = BROWN
 - 02 = RED
 - 03 = ORANGE
 - 04 = YELLOW
 - 05 = GREEN
 - 06 = BLUE
 - 07 = VIOLET
 - 08 = GRAY
 - 09 = WHITE
 - 11 = TAN
 - 12 = PINK
 - 13 = DARK BLUE
- F CONTACT PLATING
 - BLANK = SILVER (STANDARD)
 - AU = GOLD
- H HOUSING FINISH
 - BLANK = NICKEL PLATE (STANDARD)
 - B = BLACK
- I LATCH TYPE
 - BLANK = STANDARD LATCHLOCK
 - D = FAS-DIS-CONNECT DETENT (SEE FIGURE 3)
- J FLEX RELIEF SIZE
 - BLANK = STANDARD SIZE (0.210 TO 0.300)
 - L = LARGE CABLES (0.300 TO .0328)
 - S = SMALL CABLES (0.105 TO 0.205)
- K NO. OF CONTACTS:
 - 3 = 3 CONTACTS
 - 4 = 4 CONTACTS
 - 5 = 5 CONTACTS
 - 6 = 6 CONTACTS
 - 7 = 7 CONTACTS

PROFESSIONAL SERIES

SAME AS ABOVE EXCEPT
CONTACT PIN - PHOSPHOR BRONZE, GOLD OVER NICKEL

- OGP 22
- NO. OF CONTACTS:
 - 3 = 3 CONTACTS
 - 4 = 4 CONTACTS
 - 5 = 5 CONTACTS
 - 6 = 6 CONTACTS
 - 7 = 7 CONTACTS

NOTE:
1. ALL DIMENSIONS REF. UNLESS OTHERWISE SPECIFIED.

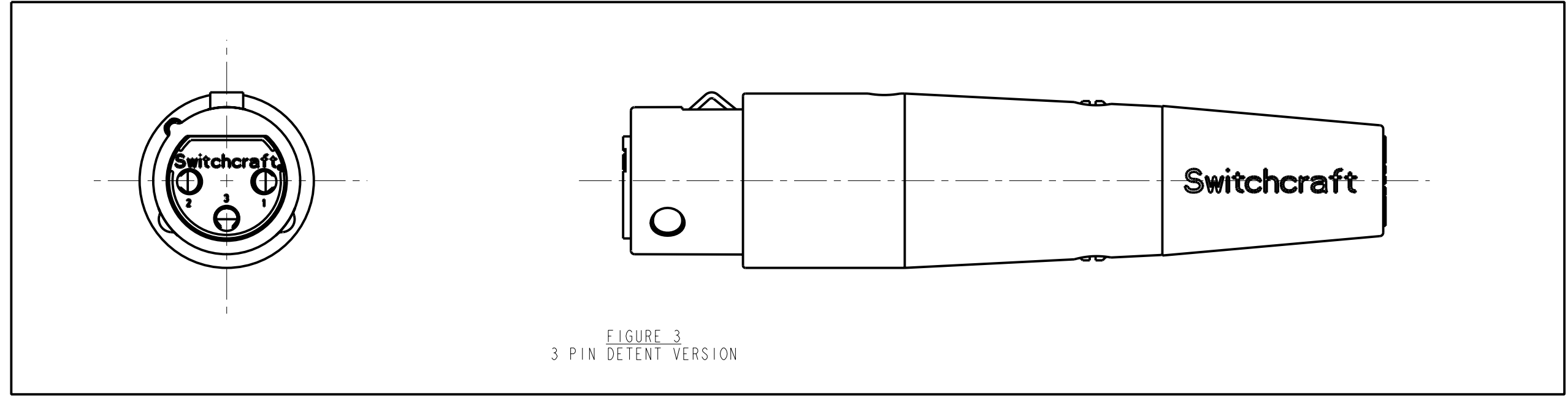
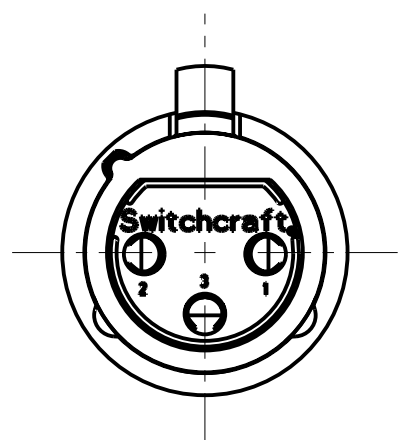
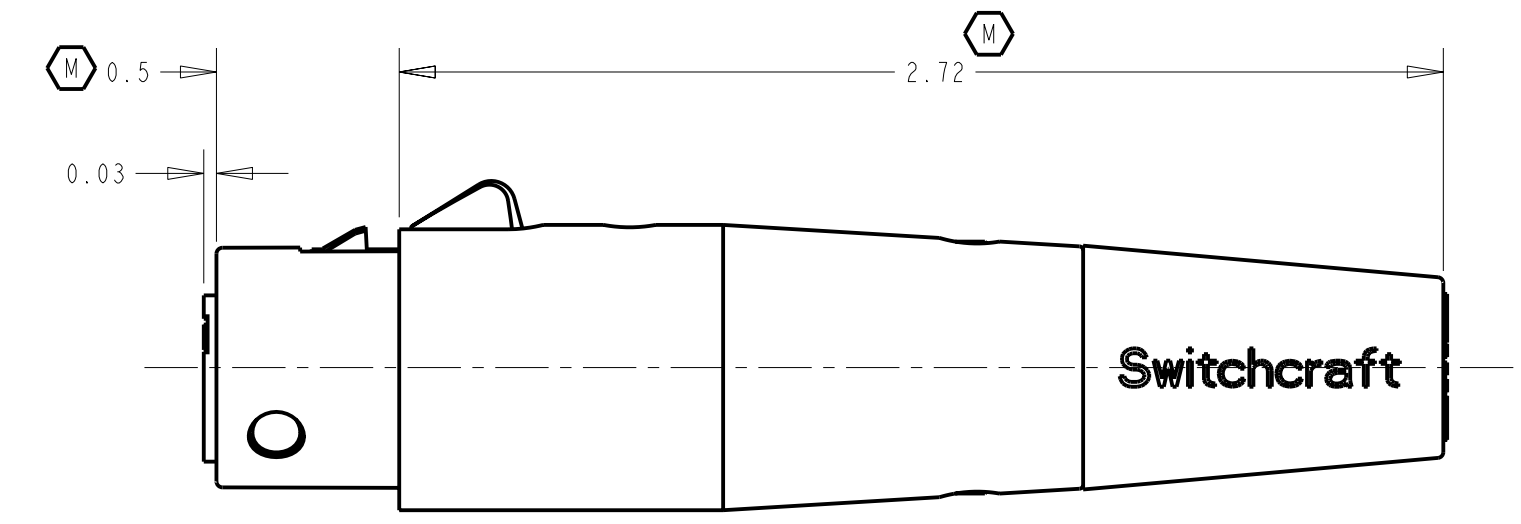
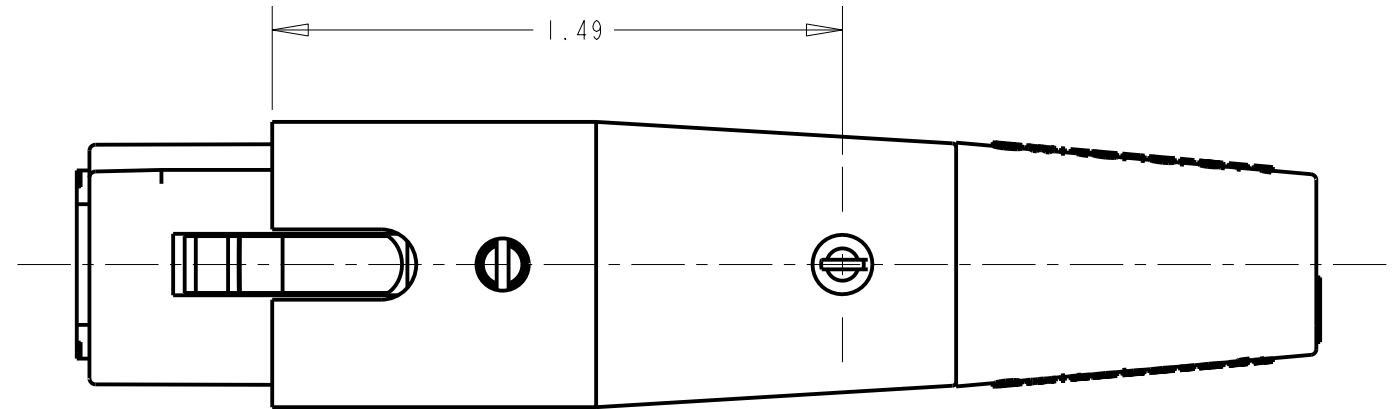


FIGURE 3
3 PIN DETENT VERSION



CUSTOMER DRAWING

					★ STAR SYMBOL DENOTES CRITICAL DIMENSION				THIS DRAWING DESCRIBES A DESIGN CONSIDERED PROPRIETARY IN NATURE, DEVELOPED AND MANUFACTURED BY SWITCHCRAFT INC. AND IS RELEASED ON A CONFIDENTIAL BASIS FOR IDENTIFICATION PURPOSES ONLY.				
					UNLESS OTHERWISE SPECIFIED				SIZE	WIDTH	MULT	LBS/M	TEMPER
					1. ALL DIMENSIONS IN INCHES - TWO PLACE DECIMALS ±0.01 - THREE PLACE DECIMALS ±0.005 - ANGLES ±1° - ALL DIA. CONCENTRIC WITHIN 0.005 T.I.R.				FINISH		MATERIAL		
					2. FEATURES ON THE SAME CENTERLINE MUST BE ALIGNED WITHIN ±0.002				SPEC No.		SPEC No.		
					3. REMOVE ALL BURRS				FIRST USED ON		SCALE		
W	ECO #22530	12-21-98	MM	EB					DATE DRAWN	BY	CHKD	APVD	Switchcraft
V	22353	6-12-98	DA	EB					10-26-93	SG	1-19-95	1-19-95	
REV ECO NUMBER DATE BY APVD					DO NOT SCALE DRAWING				NAME		PART No.		REV
REVISIONS					A SERIES FEMALE OGP				A_F_SERIES		W		